

# Lincoln Quicklub centralized and automatic lubrication systems



# People, capabilities and systems to save money and increase productivity

We're the largest and most successful company in our field because we continually satisfy our customers with the world's best lubrication and pumping systems. For more than a century, companies have relied on our technical and quality leadership, our world-class manufacturing and customer service, and our vast network of distributors and support facilities.

Lincoln develops new products and systems at research and development facilities in the U.S., Germany and India that provide global and regional application solutions.

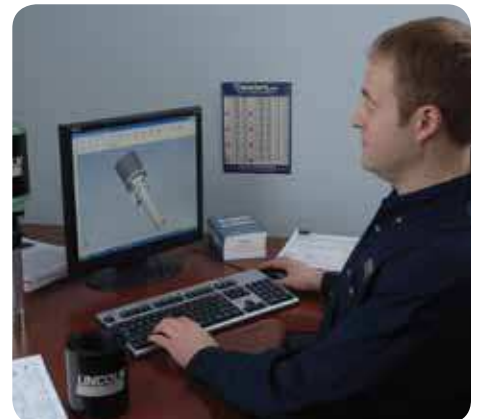
We have solutions for large processing plants, automotive manufacturing, pulp and paper mills, and food and beverage facilities. Virtually every industrial professional involved in operations and maintenance can benefit from Lincoln systems.

On the road or in the field, Lincoln protects heavy equipment used in mining, construction, agriculture and over-the-road trucking. The world's leading manufacturers offer our systems as standard equipment or factory options.

Lincoln builds precision metal components, state-of-the-art electronic controls, and the industry's top-performing pump systems. Our quality systems in the United States and Germany are ISO 9001 registered.

With five technical support centers on three continents, and a network of systems houses and distributors supported by regional sales and service offices, our customers can always draw on our worldwide resources.

To make sure your investment results in significant savings, Lincoln developed a unique program called BearingSaver. You not only get a complete audit of your facility, you also receive an analysis of your return on investment.



---

*Introduction to Quicklub* . . . . . 2

*SSV Divider Valves* . . . . . 4

*SSVM Divider Valves* . . . . . 5

*SSV-D Divider Valves* . . . . . 6  
*with Outlets 1 and 2 Together* . . . . . 7

*Electric Grease Pumps* . . . . . 8

*203 Series* . . . . . 8

*233 Series* . . . . . 13

*Reservoir Field Upgrades* . . . . . 14

*QLS 401 Series* . . . . . 15

*QLS 301 Series* . . . . . 18

*QLS 311 Series* . . . . . 19

*QLS 421 Series* . . . . . 21

*Hammer* . . . . . 22

*Pump Accessories* . . . . . 24

*Installation Components* . . . . . 25

*Fittings, Adapters and Accessories* . . . . . 26

*Single Point Lubrication Kits* . . . . . 32

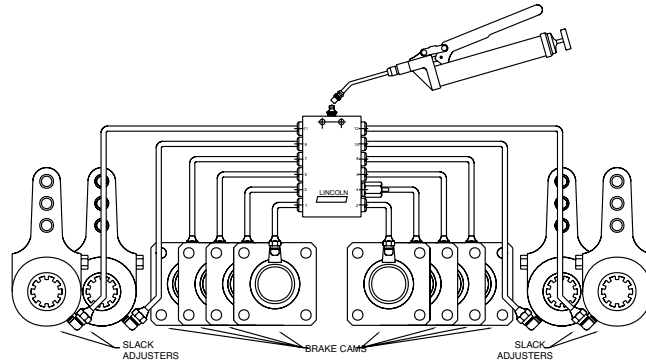
*Numerical Index* . . . . . 35

The Lincoln Quicklub system is designed to provide a relatively simple and inexpensive method of centralizing or automating the lubrication of machinery bearings.

Quicklub can be a simple, centralized system with lubricant supplied manually from a lever gun. Pre-assembled kits are available to service up to 12 points from a single grease fitting. Custom kits can also be provided by our distributors to cover virtually any quantity of points desired.

### Quicklub® lubrication method

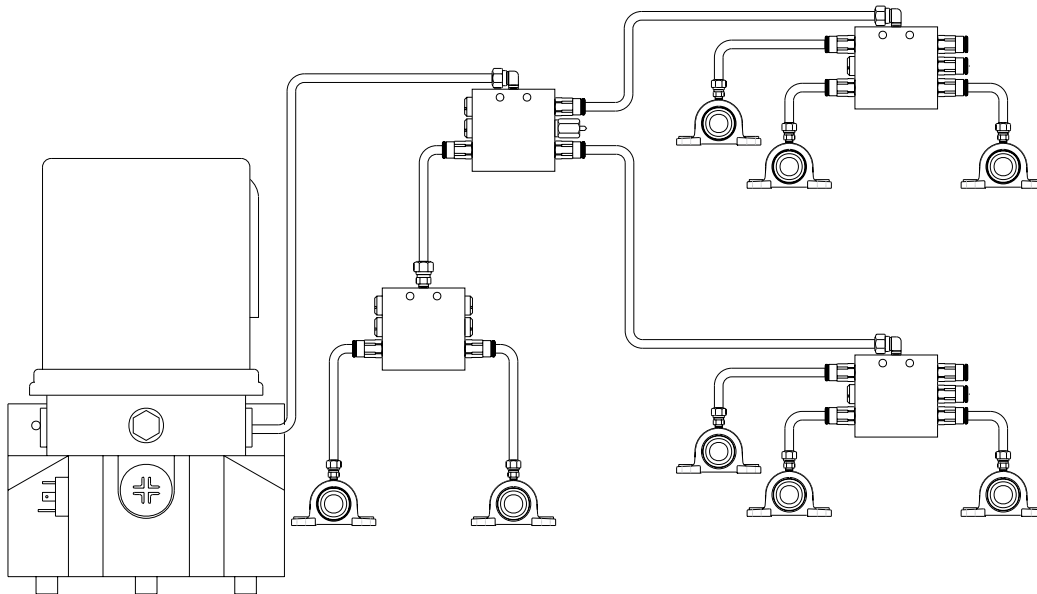
A Quicklub® centralized lubrication system typically dispenses measured amounts of lubricant to each point covered by the system. Even those hard to reach are assured of being properly lubricated and purged of contaminants.



### System Operation

1. The lubricant is delivered to the divider valves through a hand- or air-operated grease gun.
2. The divider valve dispenses lubricant in measured amounts directly to each point being covered by the system through the feedlines. Visual indication of cycle pin assures that all points are lubricated.

Quicklub can also be a fully automated system with lubricant supplied by our 12VDC and 24VDC electric or pneumatic pumps. An automated lubrication system typically dispenses small measured amounts of lubricant at frequent intervals while production machines are operating. The electric pumps incorporate an integrated timer for easy installation and trouble-free operation.



Quicklub systems have proven to be the right solution for many industries and applications, eliminating costly, manual point-by-point lubrication. Examples include:

### Mobile Equipment

- Over-the-road tractors
- Single-axle trailers
- Tandem-axle trailers
- Tri-axle trailers
- Yard tractors
- Trucks of all types
- Refuse haulers
- Wheel loaders
- Hydraulic excavators
- Motor graders
- Backhoe loaders
- Hydraulic hammers
- Street sweepers
- Road & highway paving equipment

### Industrial Equipment

- Packaging
- Lathes
- Beverage industry
- Textile
- Metal working
- Wood processing
- Material handling equipment
- Bakery
- Printing
- Punch presses
- Paper converting
- Milling
- Plastic processing
- Wind energy



## The heart of the Quicklub® system

More than a drilled manifold block, the valve incorporates a series of metering pistons which accurately dispense lubricant from each outlet, overcoming back pressure of up to 1,000 psi. Visual monitoring is provided with an indicator pin, which confirms a valve has completed a full cycle. Quicklub divider valves are available for grease or oil applications and in carbon steel and 303 stainless steel for corrosive environments.

Figure 1

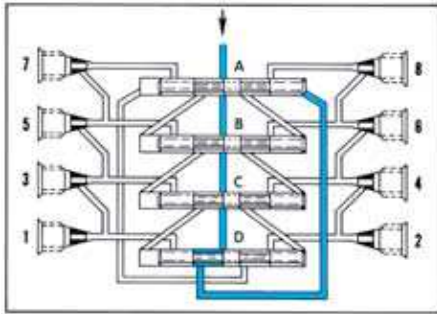


Figure 2

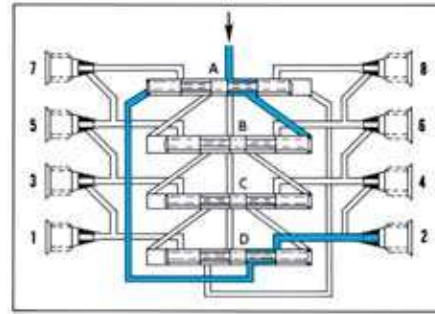


Figure 3

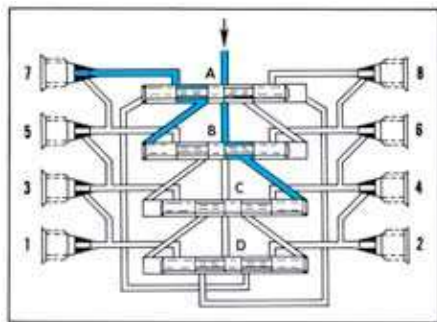
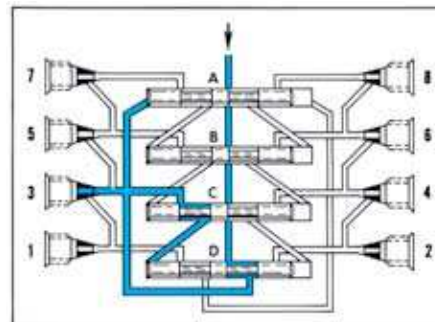


Figure 4



The inlet passageway is connected to all piston chambers at all times with only one piston free to move at any time.

- With all pistons at the far right, lubricant from the inlet flows against the right end of piston A (fig. 1).
- Lubricant flow shifts piston A from right to left, dispensing lubricant through connecting passages to outlet 2. Flow is then directed against the right side of piston B (fig. 2).
- Piston B shifts from right to left, dispensing lubricant through outlet 7. Lubricant flow is directed against the right side of piston C (fig. 3).
- Piston C shifts from right to left, dispensing lubricant through outlet 5. Lubricant flow is directed against the right side of piston D.
- Piston D shifts from right to left, dispensing through outlet 3. Piston D's shift directs lubricant through a connecting passage to the left side of piston A (fig. 4).

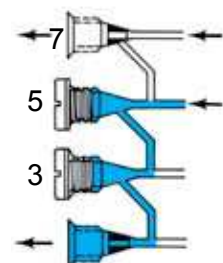
Lubricant flow against the left side of piston A begins the second half-cycle, which shifts pistons from left to right, dispensing lubricant through outlets 1,8,6 and 4 of the divider valve.

### Crossporting a Divider Valve

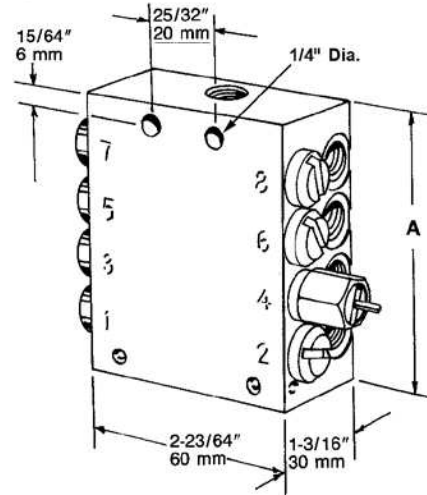
Outputs from adjacent outlets may be combined by installing a closure plug in one or more outlets. Lubricant from a plugged outlet is redirected to the next adjacent outlet in descending numerical order. Outlets 1 and 2 must not be plugged since they have no cross-port passage to the next adjacent outlet.

In figure 5, outlets 5 and 3 are cross-ported and directed through outlet 1. In this example, outlet 1 will dispense three times as much lubricant as outlet 7. The tube ferrules in outlets 1 and 7 block the cross-port passage so that lubricant flow is only directed through outlets.

Figure 5



**SSV Divider Valves**



The SSV Divider Valve is the “heart” of a manual or automated Quickclub system. Featuring from six to 22 outlets, the SSV valve is available in carbon steel and 303 stainless steel for corrosive environments. Valves are available with cycle indicator pins to provide visual indication of system operation.

**Specifications:**

Construction Material	Max. Operating Pressure Min. Operating Pressure	Output/Cycle per Outlet cu. in. / cc	Lubricant Inlet	Lubricant Outlet	Operating Temperature	
					Min.	Max.
Carbon Steel	5076 psig / 350 bar 290 psig / 20 bar	.012 / .2	1/8" NPTF(F)	M10x1	-22°F (-30°C)	212°F (100°C)
Stainless Steel			1/8" BSPP(F)*			

**Note:** Lubricant outlet must use Lincoln Quickclub fittings. See Divider Valve Accessories section.  
 \* 241650 stainless steel adapter available to convert inlet to 1/8" NPTF (F).

Model No.		Maximum Number of Outlets	Cycle Indicator Pin	Dimension A in. / mm
Carbon Steel	303 Stainless Steel			
619-27121-1		6	No	2.36 / 60
619-27122-1	619-27472-1		Yes	
619-26396-2		8	No	2.95 / 75
619-26646-2	619-27474-1		Yes	
619-26844-1		10	No	3.54 / 90
619-26845-2	619-27476-1		Yes	
619-26398-2		12	No	4.14 / 105
619-26648-2	619-27478-1		Yes	
619-29400-1		14	No	4.8 / 120
619-28899-1	619-29067-1		Yes	
619-29401-1		16	No	5.4 / 135
619-28900-1			Yes	
619-28901-1		18	Yes	5.9 / 150
619-28902-1		20	Yes	6.5/165
619-77254-1		22	Yes	7.1/180

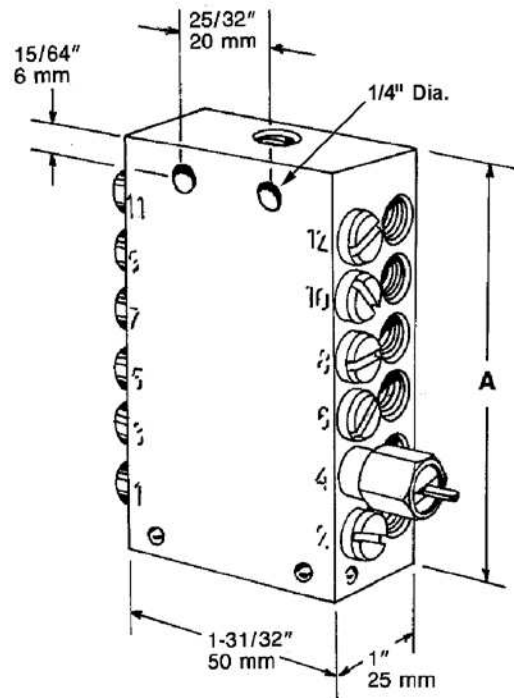
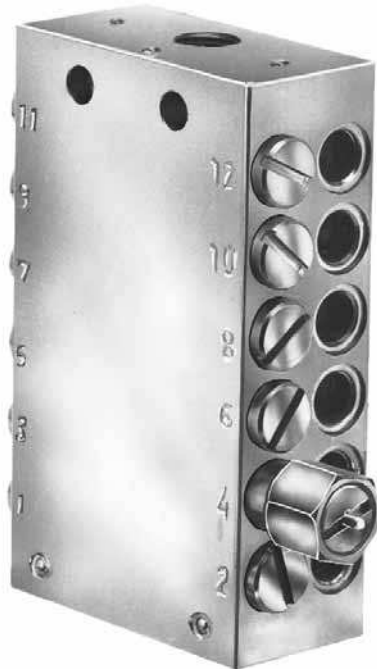
**Note:** You must use outlets 1 and 2 for each of the above referenced models to allow the system to operate properly.

**SSV Divider Valve Accessories**

Model Number	Description
249010	Cycle switch for providing feedback monitoring for SSV systems - 11" cable / 26-gauge wire

**Note:** Cycle switch can only be used with SSV Series Quickclub valves that have indicator pins. Remove slotted plug from indicator assembly on valve prior to installing switch.

**SSVM Divider Valves**



The SSVM Divider Valve is smaller in overall size than the SSV series and provides smaller volume output per outlet. Available with six to 12 outlets, the SSVM series valve is used primarily in oil system applications.

**Specifications:**

Construction Material	Maximum Operating Pressure	Output/Cycle per Outlet cu. in. / cc	Lubricant Inlet	Lubricant Outlet	Operating Temperature	
					Min.	Max.
Carbon Steel	2900 psig / 200 bar	.0037 / .07	1/8" NPTF(F)	M8x1	-22°F (-25°C)	212°F (70°C)

Model No.	Maximum Number of Outlets	Cycle Indicator Pin	Dimension A in. / mm
Carbon Steel			
619-26764-1	6	No	1.91 / 48.5
619-26765-3		Yes	
619-26650-1	8	No	2.36 / 60
619-26651-3		Yes	
619-26848-1	10	No	2.81 / 71.5
619-26849-2		Yes	
619-26653-1	12	No	3.26 / 83
619-26654-3		Yes	

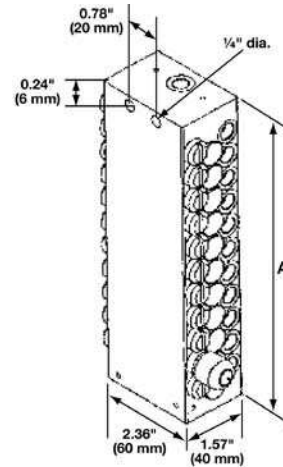
Note: You must use outlets 1 and 2 for each of the above referenced models to allow the system to operate properly.



**Divider Valve Accessories**

Model Number	Description
619-36732-1	Demonstration Valve (see-through block)
619-36732-2	Cut-away model valve (SSV8)

### SSV-D Metering Device



SSV-D metering devices are adjustable per outlet pair, thus enabling lubricant requirements to be better met. The metering occurs within the block via metering screws that are available in ten different outputs (sold separately).

The outputs of the progressive metering device can be easily set, even after installation. Simply put in a different size metering screw! Tedious reassembly of entire metering device segments is a thing of the past.

The SSV-D can be integrated into system using standard SSV metering devices. Both metering device types also use the same components such as piston detector and outlet closure plugs.

### Specifications:

Construction Material	Max. Operating Pressure	Output/Outlet Pair/Stroke cu. in. / cc	Lubricant Inlet	Lubricant Outlet	Operating Temperature
Carbon Steel	5076 psig / 350 bar	Min. .0049/.08 / Max. .110/1.8	1/8" NPTF(F)	M10x1	-13°F to 158°F / (-25°C to 70°C)

Model No.	Maximum Number of Outlets	Cycle Indicator Pin	Dimension A in. / mm	Number of Required Metering Screws
649-29535-1	6	No	2.75 / 70	3
649-29545-1		Yes		
649-29536-1	8	No	3.35 / 85	4
649-29546-1		Yes		
649-29537-1	10	No	3.94 / 100	5
649-29547-1		Yes		
649-29538-1	12	No	4.53 / 115	6
649-29548-1		Yes		
649-29539-1	14	No	5.12 / 130	7
649-29549-1		Yes		
649-29627-1	16	No	5.71 / 145	8
649-29635-1		Yes		
649-29628-1	18	No	6.3 / 160	9
649-29636-1		Yes		
649-29629-1	20	No	7.48 / 190	10
649-29637-1		Yes		
649-29630-1	22	No	7.48 / 190	11
649-29638-1		Yes		

Note: You must use outlets 1 & 2 for each of the above reference models to allow the system to operate properly.

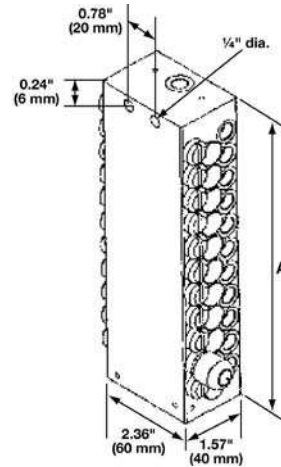
### Metering Adjustment Screws

Output cu. in. / cc	Model Number	
	Sold as Each	Bag of 12
.0049 / 0.08	303-16118-1	549-34254-1
.0085 / 0.14	303-16119-1	549-34254-2
.012 / 0.2	303-16120-1	549-34254-3
.018 / 0.3	303-16121-1	549-34254-4
.024 / 0.4	303-16122-1	549-34254-5

Output cu. in. / cc	Model Number	
	Sold as Each	Bag of 12
.037 / 0.6	303-16123-1	549-34254-6
.049 / 0.8	303-16124-1	549-34254-7
.061 / 1.0	303-16125-1	549-34254-8
.085 / 1.4	303-16126-1	549-34254-9
.110 / 1.8	303-16127-1	549-34255-1



### SSV-D Metering Device with Outlets 1 & 2 Together



For added installation flexibility, outlets 1 and 2 can be singled together. In this configuration, outlets #1 and #2 are internally connected thus doubling the output through one output port. See the chart below for models and outlet configurations.

### Specifications:

Construction Material	Max. Operating Pressure	Output/Outlet Pair/Stroke cu. in. / cc	Lubricant Inlet	Lubricant Outlet	Operating Temperature
Carbon Steel	5076 psig / 350 bar	Min. .0049/.08 / Max. .110/1.8	1/8" NPT(F)	M10x1	-13°F to 158°F / (-25°C to 70°C)

Model No.	Description	Maximum Number of Outlets	Cycle Indicator Pin	Number of Required Metering Screws
649-29540-1	NPT SSVD 6/5-V1-A	5	No	3
649-29550-1	NPT SSVD 6/5-V1-K-A		Yes	
649-29541-1	NPT SSVD 8/7-V1-A	7	No	4
649-29551-1	NPT SSVD 8/7-V1-K-A		Yes	
649-29542-1	NPT SSVD 10/9-V1-A	9	No	5
649-29552-1	NPT SSVD 10/9-V1-K-A		Yes	
649-29543-1	NPT SSVD 12/11-V1-A	11	No	6
649-29553-1	NPT SSVD 12/11-V1-K-A		Yes	
649-29544-1	NPT SSVD 14/13-V1-A	13	No	7
649-29554-1	NPT SSVD 14/13-V1-K-A		Yes	
649-29631-1	NPT SSVD 16/15-V1-A	15	No	8
649-29639-1	NPT SSVD 16/15-V1-K-A		Yes	
649-29632-1	NPT SSVD 18/17-V1-A	18	No	9
649-29640-1	NPT SSVD 18/17-V1-K-A		Yes	
649-29633-1	NPT SSVD 20/19-V1-A	19	No	10
649-29641-1	NPT SSVD 20/19-V1-K-A		Yes	
649-29634-1	NPT SSVD 22/21-V1-A	21	No	11
649-29642-1	NPT SSVD 22/21-V1-K-A		Yes	

**Note:** A plug must be installed in outlets 1 or 2 but not both for the above referenced models to allow the system to operate properly. One metering screw needed per outlet pair for SSV-D metering device.



### P203 Series Pump

These pumps are electrically operated and are used in progressive-type automated lubrication systems. The proven and reliable P203 pump has been designed to develop high operating pressures allowing it to supply NLGI #2 grease in most ambient temperatures.

Versatile, compact and economical, this pump can be enhanced with several options including an integrated controller, low-level monitoring and system monitoring. Special configurations are available upon request.

**Note:** Customer must furnish a 12- or 24-volt D.C. power source.

### Electric Grease Pumps with Integrated On/Off Controller

<b>Output/Min Per Element**:</b>	.171 cu. in. / 2.8 cc
<b>Lubricant Outlet:</b>	1/8" NPT (F)
<b>Max. System Operating Pressure:</b>	5000 psig / 350 bar
<b>Enclosure Rating:</b>	IP6K9K*
<b>Operating Temperature Range:</b>	Min. -13°F / -25°C / Max. 158°F / 70°C
<b>Reservoir Capacity:</b>	2-, 4-, 8- or 15-liter ***
<b>Reservoir Fill Method:</b>	By grease fitting
<b>Pressure Relief Valve:</b>	4000 psi, +/- 250 psi / 276 bar, +/- 17 bar

\* Protected from water sprayed in all directions.

\*\* Single 6mm element standard; to increase pump output, add one or two additional element(s) #600-26876-2 and relief valve #270864.

\*\*\* Pressure relief valve included with these models.

### Model Specifications

Model No.	Electrical Requirements	Interval Timer Setting				Reservoir Capacity		
		On Time* (2 minute increments)		Off Time (1 hour increment)		lb.	kg.	liter
		Min	Max	Min	Max			
94012	12 VDC / 3.5 Amps	2 minutes	30 minutes	1 hour	15 hours	4	1.8	2
94412						8	3.6	4
94812						16	7.2	8
94412LDL						8	3.6	4
94812LDL						16	7.2	8
94024	24 VDC / 2 Amp	2 minutes	30 minutes	1 hour	15 hours	4	1.8	2
94424						8	3.6	4
94824						16	7.2	8
94824LDL						16	7.2	8
644-46278-1						30	13.6	15

\* Can be set for either minutes or seconds.

### Electric Grease Pumps Without Integrated Controller Model Specifications

Model No.	Electrical Requirements	Reservoir Capacity		
		lb.	kg.	Liters
94224	24 VDC - 2 Amps	4	1.8	2
94212	12 VDC - 3.5 Amps			
644-46278-3	24 VDC - 2 Amps	30	13.6	15



## Electric Grease Pumps with Low-Level Sensor and Integrated Controller for Feedback Monitoring

Supplies NLGI #2 grease (depending on temperature) to divider valves.

### Electrical Requirements

<b>Input:</b>	12 VDC @ 3.5 amps, 24 VDC @ 2 amps 94 - 265 VAC (50 to 60 Hz)
<b>Enclosure Rating:</b>	IP6K9K *
<b>Interval Between Lube Cycles:</b>	Min. 4 minutes / Max. 15 hours
<b>Pump Output:</b>	0.171 cu. in./min. / 2.8 cc/min.
<b>Outlet Connection:</b>	1/8" NPT (F)
<b>Reservoir Capacity:</b>	2-, 4-, 8- or 15-liter **
<b>Maximum Recommended Operating Pressure:</b>	5000 psi / 350 bar
<b>Lubricant:</b>	Greases NLGI grade 2 (depending on operating temperature and type of lubricant)
<b>Temperature Range:</b>	-13°F to 158°F / -25°C to 70°C
<b>Pressure Relief Valve:</b>	4000 psi, +/- 250 psi / 276 bar, +/- 17 bar

**Note:** Do not use pump without pressure relief valve. \* Protected from water sprayed in all directions.

## Model Specifications

Model No.	Description	Power	Control Settings			Reservoir Capacity		
			Interval Between Lube Cycle Min.	Interval Between Lube Cycle Hrs.	Alarm Time Min.	Liters	In <sup>3</sup>	Lbs.
94222	P203-2XL-1K6-24-2A6.15-M13-A+SV	24 VDC	4 - 60	1 -15	5 or 30	2	122	4
94422	P203-4XLBO-1K6-24-2A6.15-M13-A+SV	24 VDC	4 - 60	1 -15	5 or 30	4	244	8
94822	P203-8XLBO-1K6-24-2A6.15-M13-A+SV	24 VDC	4 - 60	1 -15	5 or 30	8	488	16
94822LDL	P203-8XL-1K6-24-2A6.15-M13-A+SV	24 VDC	4 - 60	1 - 15	5 or 30	8	488	16
644-40987-2	P203-15XL-1K6-24-2A6.15-M13-A+SV	24 VDC	4 - 60	1 -15	5 or 30	15	915	30
644-40821-6 *	P203-2XLBO-1K6-12-2A6.15-M08	12 VDC	4 - 60	1 -15	5 or 30	2	122	4
644-40843-8 *	P203-4XLBO-1K6-12-2A6.15-M08	12 VDC	4 - 60	1 -15	5 or 30	4	244	8
644-40822-8 *	P203-8XLBO-1K6-12-2A6.15-M16	12 VDC	4 - 60	1 -15	5 or 30	8	488	16
644-40873-1 *	P203-8XLBO-1K6-AC-3A6.15-M08	120 VAC	4 - 60	1 -15	5 or 30	8	488	16

\*These "644-" pumps do not come with the pressure relief valve. It must be ordered separately and is recommended. The 1/8" NPT adapter (304-19614-1) is also not included and must be ordered separately, if required. None of the above pumps come with the proximity switch. This must be ordered separately.



## Electric Grease Pump with RemoteLinc™ Technology

- Easily interfaces with OEM and aftermarket telematics systems
- Allows users to:
  - Remotely monitor and detect low lubricant levels and system faults.
  - Reduce cost by receiving immediate, real-time alerts when lubricant is low or the system is in fault.

### Electrical Requirements

<b>Input:</b>	12 VDC @ 3.5 amps, 24 VDC @ 2 amps 94-265 VAC (50 to 60 Hz)
<b>Enclosure Rating:</b>	IP6K9K*
<b>Interval Between Lube Cycles:</b>	Min. 4 minutes / Max. 15 hours
<b>Pump Output:</b>	0.171 cu. in./min. / 2.8 cc/min.
<b>Outlet Connection:</b>	1/8" NPT (F)
<b>Reservoir Capacity:</b>	2-, 4-, 8- or 15-liter**
<b>Maximum Recommended Operating Pressure:</b>	5000 psi / 350 bar
<b>Lubricant:</b>	Greases NLGI grade 2 (depending on operating temperature and type of lubricant)
<b>Temperature Range:</b>	-13°F to +158°F / -25°C to +70°C
<b>Pressure Relief Valve:</b>	4000 psi, ±250 psi / 276 bar, ±17 bar

## Model Specifications

Model No.	Voltage	Reservoir Capacity
94223-12	12VDC	2L
94423-12	12VDC	4L
94823-12	12VDC	8L
94223	24VDC	2L
94423	24VDC	4L
94423LDL	24VDC	4L (Lidless)
94823	24VDC	8L
94823LDL	24VDC	8L (Lidless)
94923	24VDC	15L
94223-AC	94-265VAC	2L
94423-AC	94-265VAC	4L
94823-AC	94-265VAC	8L

None of the above pumps come with a proximity switch. This must be ordered separately.

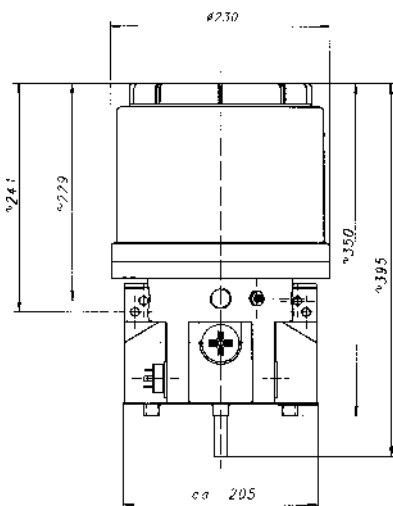


### 203 AC Models

This VAC pump automatically adjusts to handle a variety of electrical supply voltages (between 94- and 265-volt, 50 to 60 Hz.)

<b>Input Voltage:</b>	94 - 265 VAC, 3 Amps
<b>Operating Temperature:</b>	-13° to 158°F / -25° to 70°C
<b>Number and Element Size:</b>	1 - 6mm
<b>Reservoir Capacity:</b>	2-, 4-, 8- or 15-liter *
<b>Output per Minute:</b>	Approx. 2.8 cc / 0.171 cu. in. per min.
<b>Lubricant:</b>	Greases up to NGLI #2/Oil with at least 40 cSt
<b>Max. Operating Pressure:</b>	5076 psi / 350 bar

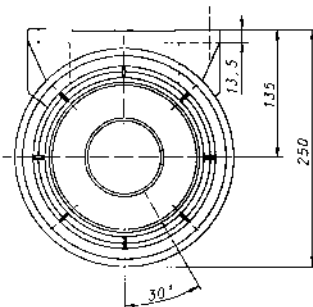
\* Contact Lincoln for 15-liter reservoir models.



### Model Specifications

Model No.	Description	Res. Cap.	Grease or Oil	Low level control	Printed circuit board
644-46073-5	P203-2XNBO-1K6-AC-1A1.01-V10 (UL)-A+SV	2 liter	Grease	No	Yes
644-46173-4	P203-4XNBO-1K6-AC-1A1.01-V10 (UL)-A+SV	4 liter	Grease	No	Yes
644-46173-5	P203-4YLBO-1K6-AC-1A1.01-V10 UL)-A+SV	4 liter	Oil	Yes	Yes
644-46073-6	P203-2XNBO-1K6-AC-1A1.01 (UL)-A+SV	2 liter	Grease	No	No
644-46173-6	P203-4XLBO-1K6-AC-2A1.01 (UL)-A+SV	4 liter	Grease	Yes	No
644-46173-8	P203-4YLBO-1K6-AC-1A1.01 (UL)-A+SV	4 liter	Oil	Yes	No
644-46173-7	P203-4XNBO-1K6-AC-1A1.01 (UL)-A+SV	4 liter	Grease	No	No
644-46174-2	P203-8XLBO-1K6-AC-2A1.01-V10 (UL)-A+SV	8 liter	Grease	Yes	Yes
644-46174-4	P203-8XLBO-1K6-AC-2A1.01 (UL)-A+SV	8 liter	Grease	Yes	No

"(UL)" in the description refers to UL-approved, CSA-certified pumps. Pumps with "-A+SV" come complete with the 1/8" NPT adapter and pressure relief valve.





# Quicklub® Lubrication Systems

## Identification Code—Pump Models 203



### Examples of Codes

Note  
Any pumps combination other than the above standard pumps can be composed and ordered in accordance with the valid model identification code

Basic pump model for grease or oil with 1-3 outlets

### Reservoir Design

2 = 2 l transparent plastic reservoir  
4 = 4 l transparent plastic reservoir  
8 = 8 l transparent plastic reservoir  
15 = 15 l transparent plastic reservoir

X = reservoir for grease  
Y = reservoir for oil

N = standard design  
L = low-level control

without designation = standard reservoir (2 l)  
BO = filling from top  
FL = flat type reservoir (for 2l, no low level)

### Pumping Element

1 - 3 number of elements

### Piston Type - Piston Diameter (selection see page 20)

K5 - 5 mm  
K6 - 6 mm  
K7 - 7 mm  
KR adjustable - 7 mm  
B7 - 7 mm (outlet same as K5)  
S7 - 7 mm (food industry)

### Operating Voltage

12 VDC or 24 VDC (DC motor)  
AC = 94 - 265 VAC (47 - 63 HZ) with 24 VDC motor

### Number of Connection Possibilities

1A = 1 connector (left), power supply <sup>1</sup>  
1A = 1 connector (left), power supply <sup>2</sup>  
1A = 1 connector, power supply left + illuminated push button for additional lubrication, low level <sup>3,C</sup>  
2A = 2 connectors, power supply (left) <sup>1,+</sup> illuminated push button for additional lubrication, low-level (right) <sup>1,C</sup> (V10 - V13, V20 - V23, H)  
2A = 2 connectors, power supply (left) + illuminated push button for additional lubrication, low-level (left) <sup>3,C</sup> and piston detector (right) <sup>4</sup> (M08 - M23)

### Type of Connection

1 = square type connector (DIN 43650, type A) <sup>1</sup>  
5 = bayonet plug, 4/3, DIN 72585-1 <sup>2</sup> (V10-V13, V20-V23, H)  
6 = bayonet plug, 7/5, DIN 72585-13 (M08-M23)  
7 = bayonet plug, 7/6, DIN 72585-1 <sup>3</sup> (V10-V13, V20-V23)

### Connection Outside the Pump

00 = without socket outlet, without cable  
01 = socket outlet, without cable <sup>1</sup>  
10 = socket outlet, with 10 m cable <sup>1</sup>  
11 = socket outlet, with 10 m ADR cable <sup>A,1</sup>  
14 = socket for bayonet, with 10 m cable, 4/3 <sup>2</sup>, V10-V13, V 20-V23, no low level, no illuminated push button <sup>C</sup>  
15 = socket for bayonet with 10 m cable, 7/5 <sup>3</sup>, M08-M23  
16 = socket for bayonet, with 10 m cable, 7/6g <sup>3</sup>, V10-V13, V 20-V23, with low level or illuminated push button <sup>C</sup>  
17 = socket for bayonet with 10 m ADR-Cable <sup>A</sup>, 4/3 <sup>2</sup>, (V10-V13, H)

### P.C.B. for 12 / 24 VDC

V10 - V13 = adjustable pause and operating time <sup>1,2,3</sup>  
H = for trailers and semi trailers <sup>1,2</sup>  
without designation = without p.c.b. <sup>1,2</sup>  
M08 - M23 = with microprocessor control <sup>3</sup> different model in accordance to the jumper position  
No designation, pump without control p.c.b.

The Figures <sup>1,2,3</sup> are in conjunction with those of the "Type of connection" determining the connector you could use

<sup>A</sup> For hazardous material transport

<sup>B</sup> C7 = for supply of chisel paste

<sup>C</sup> low level for oil; the connection for low level is not taken into consideration

Special order Quicklub pumps require a delivery time of six to eight weeks.

P 203	2	X	N		1	K6	24	1A	1	10
P 203	4	X	N	BO	1	KR	24	2A	6	M13
P 203	2	X	N		2	K5	12	1A	1	H
P 203	8	X	N	BO	1	K6	24	1A	5	V13
P 203	4	Y	L	BO	1	K7	24	1A	1	V20
P 203	2	X	L		1	K6	24	1A	7	V10



### 233 Pumps with Data Logger QuickData

The 233 centralized lubrication pump is a powerful and robust compact multi-line pump that can drive up to three elements and is used in progressive (Quicklub or Modular Lube) automated lubrication systems. The 233 is ideal for mobile applications, rental machines and construction machines. Versatile, compact and economical, this pump is enhanced with low-level control, printed circuit board MDF01 with attached data logger module and a keypad with display.

#### QuickData Displays

- Current status and operating data
- Malfunctions of the lubrication system with the time of occurrence
- Remediating of the malfunction with date, time and duration of malfunction
- Low-level signal of reservoir and regular refilling
- Modifications in the pause time programming
- Number of automatically and manually triggered lube cycles as well as the corresponding lubricant consumption
- Power supply interruptions

The QuickData software is updated and all data can be read out by using an off-the-shelf, infrared IrDa-to-USB adapter. All indications enable the users to draw their conclusions regarding the condition, function, reliability, usability and duration of service of the machine or the device. All information can be analyzed and documented and is then available as a written protocol. The family of 233 pumps includes 12 and 24 VDC and 120 VAC pumps. They are available with 1, 2 or 3 elements in 5, 6 or 7 mm or with an adjustable output element. Reservoir sizes are 2, 4 or 8 liters. Refer to the pump identification code for a complete listing of available pump configurations.

### Model Specifications

Model No.	Description	Power	Reservoir Capacity			Grease	Low-Level Control	Printed circuit board
			Liters	In <sup>3</sup>	Lbs.			
644-40824-1	P233-2XL-1K6-24-2A5.10-MDF	24 VDC	2	122	4	Yes	Yes	Yes
644-40824-2	P233-2XLBO-1K6-24-2A5.10-MDF	24 VDC	2	122	4	Yes		
644-40826-1	P233-4XLBO-1K6-24-2A5.10-MDF	24 VDC	4	244	8	Yes		
94434LDL	P233-4XL-1K6-24-2A5.10-MDF	24 VDC	4	244	8	Yes		
644-40827-1	P233-8XLBO-1K6-24-2A5.10-MDF	24 VDC	8	488	16	Yes		
94834LDL	P233-8XL-1k6-24-2A5.10-MDF	24 VDC	8	488	16	Yes		
644-41040-1	P233-15XL-1K6-24-2A5.10-MDF	24 VDC	15	915	30	Yes		
644-40868-1	P233-2XL-1K6-12-2A5.10-MDF-A	12 VDC	2	122	4	Yes		
644-40869-1	P233-4XLBO-1K6-12-2A5.10-MDF-A	12 VDC	4	244	8	Yes		
644-40870-1	P233-8XLBO-1K6-12-2A5.10-MDF-A	12 VDC	8	488	16	Yes		
644-40867-1	P233-8XLBO-1K6-AC-3A6.15-MDF	120 VAC	8	488	16	Yes		

*These pumps do not include a pressure relief valve or proximity switch which must be ordered separately.*  
 Other technical data and dimensions are identical to the P203.



### Lidless Pump Upgrade Options

Now available: Retrofit kits to field replace current 4L and 8L Model 203 reservoirs to ones without lids. The retrofit kit promotes good maintenance practice and improves system performance by eliminating grease contamination through the removable lid. For each field retrofit kit, two part numbers need to be ordered (see model numbers below):

- One part number for the reservoir
- One part number for the fixed paddle

**Assembly is required.** The fixed paddle snaps in place and the new reservoir gasket replaces the old one.

Model No.	Description
544-32695-1	Reservoir 4XN/4YN
444-70490-1	Fixed Paddle assy, 4XNBO/4YNBO
544-32696-1	Reservoir 8XN/BYN
444-70491-1	Fixed Paddle assy, 8XNBO/8YNBO

### Lidded Pump Upgrade Option

These two kits are used to upgrade a 2-liter reservoir to either a 4- or 8-liter reservoir (with lid) pump. These upgrades are for pumps without low-level monitoring.

Model No.	Description
544-32022-1	4-Liter Conversion Kit
544-32023-1	8-Liter Conversion Kit

### 15-Liter Upgrade Kit

Converts 4- and 8-liter model Quicklub pump to 15-liter reservoir with low level.

Model No.	Description
544-32957-2	4- and 8-Liter Conversion Kit



## QLS 401

The QLS 401 features a newly enhanced stirring paddle in the reservoir to prevent grease separation—even with long refill intervals. All components including an internal pressure relief valve are part of the complete package. Standard features include a built-in controller with LED display and keypad for easy programming and monitoring, and a divider block with 6, 8, 12 or 18 outlets. The integrated, all-in-one system concept reduces installation time and costs. The 12 and 24 VDC models are available with bayonet, quarter-turn type plugs for improved protection in mobile applications (optional low-level control).

<b>Operating Voltage:</b>	12 and 24 VDC 120 and 230 VAC, 50/60 Hz
<b>Operating Current:</b>	12 VDC / 2.0 A 24 VDC / 1.0 A 120 VAC / 1.0 A 230 VAC / 0.5 A
<b>Operating Temperature:</b>	-13° to 158°F / -25° to 70°C
<b>Number of Outlets:</b>	6, 8, 12 or 18
<b>Reservoir Capacity:</b>	61 in <sup>3</sup> / 1.0 L / 2.0 L
<b>Protection:</b>	NEMA 4
<b>Lubrication Cycle Time:</b>	AC: 20 min. to 60 hours DC: 4 min. to 6 hours
<b>Number of Cycles:</b>	For VDC: 1 to 5 cycles For VAC – SSV6/SSV8: 1 to 3 cycles For SSV12/SSV18: 1 cycle
<b>Timer Memory:</b>	Indefinite
<b>Max. Operating Pressure:</b>	3000 psig / 205 bar
<b>Output per Outlet &amp; Cycle:</b>	approx. 0.012 in <sup>3</sup> / approx. 0.2 cm <sup>3</sup>
<b>Lubricant:</b>	NLGI 2 grease
<b>Weight</b>	12.5 lbs. / 5.7 kg

## Model Specifications

Model No.	Valve Type	Valve Mount	Volt	Cable
P401 31202574	SSV6	Back	12 VDC	30' / 10m
P401 31402574	SSV6	Back	24 VDC	30' / 10m
P401 42601114	SSV8	Bottom	120 VAC-UL	none
P401 42801114	SSV8	Bottom	230 VAC-UL	none
P401 61202574	SSV12	Back	12 VDC	30' / 10m
P401 61402574	SSV12	Back	24 VDC	30' / 10m
P401 62601114	SSV12	Bottom	120 VAC-UL	none
P401 62801114	SSV12	Bottom	230 VAC-UL	none
P401 91202574	SSV18	Back	12 VDC	30' / 10m
P401 91402574	SSV18	Back	24 VDC	30' / 10m
P401 92601114	SSV18	Bottom	120 VAC-UL	none
P401 92801114	SSV18	Bottom	230 VAC-UL	none



### QLS 401 for Remote Control

The QLS 401 for Remote Control allows customers to be in control of the lubrication process. The 24 VDC models monitor system cycling with a proximity switch. An external timer or PLC controls the interval between lube cycles. The 120 VAC models have no cycle monitoring and are on/off controlled by the user's external timer or PLC. The minimum pause time requirements should be followed when setting up the external controller. (Optional low-level control)

<b>Operating Voltage:</b>	24 VDC 120 VAC, 50/60 Hz
<b>Operating Current:</b>	24 VDC / 1.0 A 120 VAC / 1.0 A
<b>Operating Temperature:</b>	-10° to 158°F / -25° to 70°C
<b>Number of Outlets:</b>	6, 8, 12 or 18
<b>Reservoir Capacity:</b>	61 in <sup>3</sup> / 1.0 L
<b>Protection:</b>	NEMA 4
<b>Minimum Pause Time:</b>	4 min. DC models / 20 min. AC models
<b>Maximum Operating Time:</b>	25 min. DC models / 15 min. AC models
<b>Timer Memory:</b>	Indefinite
<b>Maximum Operating Pressure:</b>	3000 psig / 205 bar
<b>Output per Outlet &amp; Cycle:</b>	approx. 0.012 in <sup>3</sup> / approx. 0.2 cm <sup>3</sup>
<b>Lubricant:</b>	up to NLGI 2 grease
<b>Weight</b>	12.5 lbs. / 5.7 kg

### Model Specifications

Model No.	Valve Type	Valve Mount	Volt
P401 31401110	SSV6	Back	24 VDC
650-40915-8	SSV8	Bottom	120 VAC-UL
P401 61401110	SSV12	Back	24 VDC
650-40915-9	SSV12	Bottom	120 VAC-UL
P401 91401110	SSV18	Back	24 VDC



**Pump Models**  
Examples of part numbers

P40100400114  
P40162400154

<b>Pump 401 for grease</b> .....	P401									
<b>SSV Divider Block</b>										
External, SSV 6, SSV 8 <sup>2)</sup> (or SSV 12 and 18 without control p.c.b.) .....	0									
External, SSV 12, SSV 18 <sup>2)</sup> .....	1									
SSV 6 (back) .....	3									
SSV 8 (bottom) .....	4									
SSV 12 .....	6									
SSV 18 .....	9									

P401 6 2 4 0 0 1 5 4

<sup>2</sup> Note: For external divider block application only use the specific divider blocks SSV...KNQLS.

**SSV Divider Block Position**

External divider block .....	0									
Back (vertical order) .....	1									
Bottom <sup>3</sup> (horizontal order) .....	2									

<sup>3</sup> Note: Do not use QLS 401 with SSV block in bottom-mounting position for mobile applications. Do not install the pump in areas exposed to shock.

**Operating Voltage**

12 VDC <sup>1</sup> .....	2									
24 VDC <sup>1</sup> .....	4									
120 VAC <sup>2</sup> (with control p.c.b. only) .....	6									
230 VAC <sup>2</sup> (with control p.c.b. only) .....	8									

<sup>1</sup> Note: Standard 12 and 24 VDC pump models for mobile applications can be supplied with 10-meter (30') electrical cable.

<sup>2</sup> Note: Standard 120 and 230 VAC pump models for industry are supplied without electrical cable.

**Reservoir**

1 liter reservoir without low-level control .....	0									
1 liter reservoir with low-level control .....	1									
2 liter reservoir without low-level control .....	2									
2 liter reservoir with low-level control .....	3									

**Number of Possible Connections**

-1A = connection left-side (square type), supply voltage .....	0									
-2A = 2 connections (square type) .....										
1 connection left-side, supply voltage .....	1									
1 connection right-side, low-level control or fault indication .....										
1A = 1 connection (quarter-turn bayonet-type) supply voltage; low-level control or fault indication (DC models only) .....	2									

**Type of Plug Connector**

Square-type, acc. to DIN 43650 type of construction A (industrial application) .....	1									
Quarter-turn bayonet-type plug, DIN 72585-1, 4-pole (mobile application; DC models only) .....	5									

**Electrical Connectors**

With socket, without cable .....	1									
With socket, with cable 10 m. ....	5									
With socket, with cable 10 m (DC models only) .....	7									

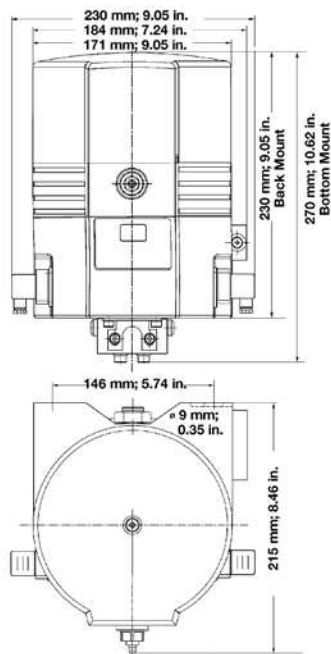
**Control p. c. b.**

p. c. b. without time control (DC models) .....	0									
p. c. b. S4:										
Normally closed or normally open contact (programmable), monitored: 1 to 5 cycles (DC models) .....										
1 cycle with SSV 12, SSV 18 (AC models) .....										
1 to 3 cycles with SSV 6, SSV 8 (AC models) .....	4									



## QLS 301

It's compact, rugged, easy to install and easy to use. It has a long list of standard features including built-in controller with LED display and keypad for easy programming, system cycle monitoring, a built-in low-level control and remote monitoring capability. For those who thought the reduced downtime and improved safety of automated lubrication were out of reach, and for those waiting for a cost-effective system for their smaller machinery, the reliable QLS 301 is the answer. It's automatic lubrication "made easy." Same as QLS 401 except has spring-loaded follower allowing for mounting pump horizontally.

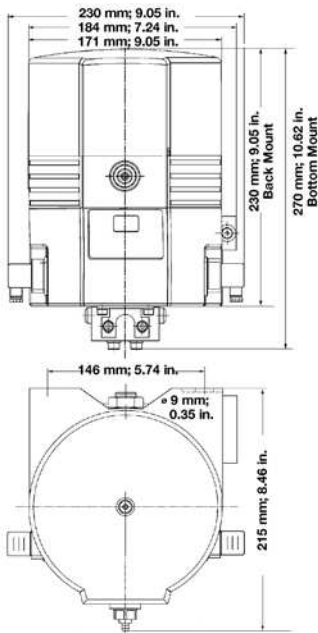


<b>Operating Voltage:</b>	12 and 24 VDC 120 and 230 VAC, 50/60 Hz
<b>Operating Current:</b>	12 VDC / 2.0 A 24 VDC / 1.0 A 120 VAC / 1.0 A 230 VAC / 0.5 A
<b>Operating Temperature:</b>	-10° to 158°F / -25° to 70°C
<b>Number of Outlets:</b>	6, 8, 12 or 18
<b>Reservoir Capacity:</b>	61 in <sup>3</sup> / 1.0 L
<b>Protection:</b>	NEMA 4
<b>Lubrication Cycle Time:</b>	AC: 20 min. to 60 hours DC: 4 min. to 60 hours
<b>Number of Cycles:</b>	For VDC: 1 to 5 cycles For VAC – SSV6/SSV8: 1 to 3 cycles For SSV12/SSV18: 1 cycle
<b>Timer Memory:</b>	Indefinite
<b>Maximum Operating Pressure:</b>	3000 psig / 205 bar
<b>Output per Outlet &amp; Cycle:</b>	approx. 0.012 in <sup>3</sup> / approx. 0.2 cm <sup>3</sup>
<b>Lubricant:</b>	NLGI 2 grease
<b>Weight</b>	12.5 lbs. / 5.7 kg

## Model Specifications

Model No.	Valve Type	Valve Mount	Volt	Cable
P301 31211154	SSV6	Back	12 DC	30' / 10m
P301 31411154	SSV6	Back	24 DC	30' / 10m
P301 42611114	SSV8	Bottom	120 AC	none
P301 42811114	SSV8	Bottom	230 AC	none
P301 61211154	SSV12	Back	12 DC	30' / 10m
P301 61411154	SSV12	Back	24 DC	30' / 10m
P301 62611114	SSV12	Bottom	120 AC	none
P301 62811114	SSV12	Bottom	230 AC	none
P301 91211154	SSV18	Back	12 DC	30' / 10m
P301 91411154	SSV18	Back	24 DC	30' / 10m
P301 92611114	SSV18	Bottom	120 AC	none
P301 92811114	SSV18	Bottom	230 AC	none

**Note:** All models include low-level.



## QLS 311

Unit includes pump, control monitor and metering valve and is ready to go “out of the box.” Pump includes built-in controller with LED display and keypad for easy programming, system cycle monitoring, a built-in low-level control and remote monitoring capability. Unit offers the advantages of automated lubrication, including reduced downtime and improved safety, to machinery large and small.

<b>Operating Voltage:</b>	12 and 24 VDC 120 and 230 VAC; 50/60 Hz
<b>Operating Current:</b>	12 VDC / 2.0 A 24 VDC / 1.0 A 120 VAC / 1.0 A 230 VAC / 0.5 A
<b>Operating Temperature:</b>	-10° to 158°F / -25° to 70°C
<b>Number of Outlets:</b>	6, 8, 12 or 18
<b>Reservoir Capacity:</b>	61 in <sup>3</sup> / 1.0 L
<b>Protection:</b>	NEMA 4
<b>Lubrication Cycle Time:</b>	AC: 20 min. to 60 hours DC: 4 min. to 60 hours
<b>Number of Cycles:</b>	For VDC: 1 to 5 cycles For VAC – SSV6/SSV8: 1 to 3 cycles For SSV12/SSV18: 1 cycle
<b>Timer Memory:</b>	Indefinite
<b>Max. Operating Pressure:</b>	1160 psig / 80 bar
<b>Output per Outlet &amp; Cycle:</b>	approx. 0.012 in <sup>3</sup> / approx. 0.2 cm <sup>3</sup>
<b>Lubricant:</b>	oil with at least 40cSt.
<b>Weight</b>	12.5 lbs. / 5.7 kg

## Model Specifications

Model No.	Valve Type	Valve Mount	Volt	Cable
P311 31211154	SSV6	Back	12 DC	30' / 10m
P311 61211154	SSV12	Back	12 DC	30' / 10m
P311 91211154	SSV18	Back	12 DC	30' / 10m
P311 31411154	SSV6	Back	24 DC	30' / 10m
P311 61411154	SSV12	Back	24 DC	30' / 10m
P311 91411154	SSV18	Back	24 DC	30' / 10m
P311 42611114	SSV8	Bottom	120 AC	none
P311 42811114	SSV8	Bottom	230 AC	none
P311 62611114	SSV12	Bottom	120 AC	none
P311 92611114	SSV18	Bottom	120 AC	none
P311 62811114	SSV12	Bottom	230 AC	none
P311 92811114	SSV18	Bottom	230 AC	none

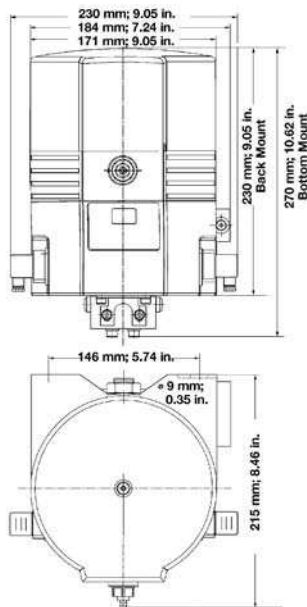
**Note:** All models come with a low-level indicator.



### QLS 301/311 for Remote Control

The QLS 301/311 for Remote Control allows customers to be in control of the lubrication process. The 24 VDC models monitor system cycling with a proximity switch. An external timer or PLC controls the interval between lube cycles. The 120 VAC models have no cycle monitoring and are on/off controlled by the user's external timer or PLC. The minimum pause time requirements should be followed when setting up the external controller.

<b>Operating Voltage:</b>	24 VDC 120 VAC, 50/60 Hz
<b>Operating Current:</b>	24 VDC / 1.0 A 120 VAC / 1.0 A
<b>Operating Temperature:</b>	-10° to 158°F / -25° to 70°C
<b>Number of Outlets:</b>	6, 8, 12 or 18
<b>Reservoir Capacity:</b>	61 in <sup>3</sup> / 1.0 L
<b>Protection:</b>	NEMA 4
<b>Minimum Pause Time:</b>	4 min. DC models / 20 min. AC models
<b>Maximum Operating Time:</b>	25 min. DC models / 15 min. AC models
<b>Timer Memory:</b>	Indefinite
<b>Maximum Operating Pressure:</b>	<b>Grease:</b> 3000 psig / 205 bar <b>Oil:</b> 1160 psi / 80 bar
<b>Output per Outlet &amp; Cycle:</b>	approx. 0.012 in <sup>3</sup> / approx. 0.2 cm <sup>3</sup>
<b>Lubricant:</b>	up to NLGI 2 grease or oil with at least 40cSt.
<b>Weight</b>	12.5 lbs. / 5.7 kg



### Model Specifications

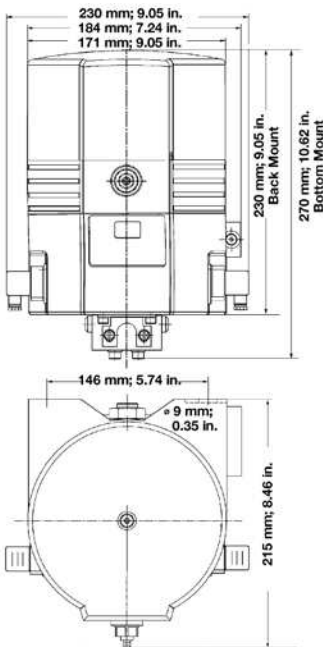
Model No.	Valve Type	Valve Mount	Volt	Lubricant
P301 31411110	SSV6	Back	24 VDC	Grease
P311 31411110	SSV6	Back	24 VDC	Oil
P311 61411110	SSV12	Back	24 VDC	Oil
650-40768-3	SSV8	Bottom	120 VAC	Grease
650-40768-4	SSV12	Bottom	120 VAC	Grease
650-40768-5	SSV18	Bottom	120 VAC	Grease
650-40765-4	SSV8	Bottom	120 VAC	Oil



### QLS 421

Accurate lubrication without the need for continuous power—that’s what over-the-road trailers need. That’s exactly what Lincoln’s QLS 421 supplies. With a unique controller card that keeps track of the time a trailer is in use by monitoring its vibration, the QLS 421 delivers the precise lubrication an OTR trailer requires exactly when it’s needed—by using the power of the trailer’s brake lights.

Because it doesn’t need power to monitor the time between lubrication events, the QLS 421 is ready when its controller card says “go.” And the QLS 421 keeps lubricating each time the trailer’s brakes are applied until its controller card adds up the “on times” and determines that the pre-set time for a complete lubrication cycle has been reached. The QLS 421 features an enhanced stirring paddle to help prevent grease separation in applications with long refill intervals.



<b>Operating Voltage:</b>	12 and 24 VDC
<b>Operating Current:</b>	12 VDC / 2.0 A 24 VDC / 1.0 A
<b>Operating Temperature:</b>	-10° to 158°F / -25° to 70°C
<b>Number of Outlets:</b>	6, 12 or 18
<b>Reservoir Capacity:</b>	61 in <sup>3</sup> / 1.0 L
<b>Protection:</b>	NEMA 4
<b>Time Between Cycles:</b>	1 hour to 16 hours
<b>On Time Range:</b>	1 to 32 min.
<b>Timer Memory:</b>	Indefinite
<b>Maximum Operating Pressure:</b>	3000 psig / 205 bar
<b>Output per Outlet per Valve Cycle:</b>	approx. 0.012 in <sup>3</sup> / approx. 0.2 cm <sup>3</sup>
<b>Lubricant:</b>	up to NLGI 2 grease
<b>Weight</b>	12.5 lbs. / 5.7 kg

### Model Specifications

Model No.	Voltage	Valve Type	Reservoir Size (L)	Valve Mount	Cable
P421 91402531	24 VDC	SSV18	1 liter	Back	19 feet 6 meters
P421 61202531	12 VDC	SSV12			
P421 91202531		SSV18			
P421 61222531		SSV12	2 liter		





### HTL Hydraulic Lubricator Pump for Hammers

- Delivers precise lubrication every time the hammer cycles
- Increase productivity—no work interruption
- Reduces machine repairs and replacement costs

Arms and breakers move constantly and exert enough force to demolish a building or repair roads in a tough environment filled with grit and debris. OEMs recommend bearing lubrication of that hammer every two hours to achieve optimal performance and to hold down maintenance and repair costs. However, deadline-driven operators rarely halt work to grease the hammer, which can lead to breakdowns that grind down productivity and inflate repair expenses. Lincoln's HTL Pumps make precise, consistent lubrication a reality. Now your operator can lubricate the hammer without leaving the cab. The pumps attach directly to the hammer, and your operator, with the push of a pedal, automatically sends a single shot of hydraulic fluid to the pump. Then the pump gives one shot of grease to lubricate the bearing points. When the operator's foot comes off the pedal, pressure releases the spring in the pump so it's ready to lubricate again.

Applications: construction OEMs, hydraulic hammer retrofits, demolition attachments and medium to larger breakers/hammers

- Withstands vibrations of an operating hammer
- Travels with hammer, perfect for rental equipment or hammers used on various machines
- Hydraulic power supply
- Pedal-actuated
- Attached grease fitting allows for manual filling and fast priming of pump
- Uses standard 14.5-ounce grease cartridges and handles chisel paste
- To adjust output, metering plugs are available (0.006 in<sup>3</sup> [0.1cm<sup>3</sup>] to 0.031 in<sup>3</sup> [0.5cm<sup>3</sup>])
- Convenient visual low level indicator

<b>Operating Temperature:</b>	-10°F to +180°F / -23°C to +80°C
<b>Hydraulic Port:</b>	SAE #4 ( 1/16"-20 UNF) O-ring
<b>Pump Outlet:</b>	SAE #4 ( 1/16"-20 UNF) O-ring
<b>Weight (Empty):</b>	16.3 lbs. / 7.4 kg
<b>Weight (Full):</b>	17.3 lbs. / 7.8 kg

### Specifications

Model No.	85429	85425	85424	85414
<b>Hydraulic Ratio at Max. Output and Pressure*</b>	2.4:1	0.7:1		
<b>Max. Hydraulic Operating Pressure:</b>	2600 psig (112 bar)	5000 psig (345 bar)		
<b>Max. Recharge (or Vent) Pressure:</b>	400 psig (28 bar)	1100 psig (75 bar)	600 psig (41 bar)	1100 psig (75 bar)
<b>Max. Lube Outlet Pressure:</b>	6500 psig (450 bar)			
<b>Output per Stroke (Std. Metering Plug)</b>	.018 cu. in. (0.3 cc) Std. .006 - .031 cu. in. (0.1 - .5 cc) Optional*		.031 cu. in. (0.5 cc) Std. .006 - .031 cu. in. (0.1 - .5 cc) Optional*	
<b>Grease Reservoir Volume:</b>	14.5 oz.			

\*Optional metering plugs are available for different output volume. See Pump Output Adjustment chart below.

### Pump Output Adjustment Metering Plug

Model No.	Output per Stroke
271924	0.006 in <sup>3</sup> / 0.1 cm <sup>3</sup>
271925	0.012 in <sup>3</sup> / 0.2 cm <sup>3</sup>
271926 *	0.018 in <sup>3</sup> / 0.3 cm <sup>3</sup>
271927	0.031 in <sup>3</sup> / 0.5 cm <sup>3</sup>

\*Note: Standard plug included with pump

### 203 Pumps Designed for Hammer Applications\*

Model No.	Description	Low Level	Timer	Element	Reservoir	Voltage	Pressure Relief Valve
271374	P203-4XNBO-1C7-24-1A1.10	No	No	7mm Chisel	4L	24	Yes
272633	P203-4XLBO-1C7-24-2A1.10	Yes	No	7mm Chisel	4L	24	Yes
272643	P203-4XLBO-1C7-12-2A1.10	Yes	No	7mm Chisel	4L	12	Yes
273426	P203-4XLBO-1K5-24-2A1.10	Yes	No	5mm Std.	4L	24	Yes
272632	P203-8XLBO-1C7-24-2A1.10	Yes	No	7mm Chisel	8L	24	Yes
273422 **	P203-8XLBO-2K7-24-2A1.10	Yes	No	2 x 7mm Std.	8L	24	Yes
273425	P203-8XLBO-1K7-24-2A1.10	Yes	No	7mm Std.	8L	24	Yes

\* Chisel paste compatibility must be confirmed by Lincoln technical.

\*\* Pump comes with 272634 kit installed for double output



### 203 Hammer Pump Accessories

Model No.	Description
272634	Double output kit (front and side)
274149	Triple output kit
600-28750-1	7mm chisel paste element
274847	Double output kit (side to side)



### Push-Button Switches

Model No.	Description	Color	Voltage
664-36070-5	Illuminated Manual Switch	Green	12 VDC
664-36070-6	Illuminated Manual Switch	Green	24 VDC
664-34005-5	Illuminated Manual Switch	Red	12VDC
664-34005-6	Illuminated Manual Switch	Red	24 VDC
237-13381-2	Replacement Bulb		12 VDC
237-13381-3	Replacement Bulb		24 VDC
236-10580-1	Replacement Lens	Green	
236-14261-9	Replacement Lens	Red	



### Pressure Relief Valves

Model No.	Pressure Relief Setting	Supply Line Connection
270864	4000 psi / 270 bar	1/8" NPT (female)
624-28894-1	5076 psi / 350 bar	6 mm Compression Nut*
624-28895-1	5076 psi / 350 bar	8 mm Compression Nut
624-28931-1**	5076 psi / 350 bar	6 mm Quicklinc*
304-19614-1	Adapter	6 mm Stem x 1/8" NPT (female)

\* 6 mm x 1/8" NPT supply line adapter (Model 304-19614-1) can be used to convert supply line connection to 1/8" NPT for these models.

\*\* Return to tank

Note: Model 226-14105-5 (psi relief adapter) is required for 4-, 8- and 15-liter pump models



### Proximity Switches

Electric grease pumps with Feedback Monitoring require purchase of one of the following proximity switches:

Model No.	Description	Use with Corresponding Pump Connection
519-34339-3	Bayonet 3 m (9.8') cable length	4 - bayonet quarter turn
519-34339-4	Bayonet 7 m (23.0') cable length	4 - bayonet quarter turn
519-34271-2	3 m (9.8') with open end	
519-34271-7	AMP 3 m (9.8') cable length	4 - AMP (existing field models)
519-34271-8	AMP 7 m (23.0') cable length	4 - AMP (existing field models)

### Pump Elements\*



Model No.	Piston Diameter	Lubricant Output	Lubricant	Max. Operating Pressure	Connection Thread
600-26875-2	5 mm (5K)	.122 in <sup>3</sup> /min / 2 cm <sup>3</sup> /min	Oil or Grease	5000 psi / 350 bar	G 1/4"
600-26876-2	6 mm (6K)	.171 in <sup>3</sup> /min / 2.8 cm <sup>3</sup> /min	Oil or Grease		
600-29304-1	6 mm		Beverage Industry Grease or Oil **		
600-26877-2	7 mm (7K)		Oil or Grease		
600-28750-1	7 mm (7C)	.244 in <sup>3</sup> /min / 4 cm <sup>3</sup> /min	Hammer Chisel Paste ***		
600-29110-1	7 mm (S7)		Silicon Based Grease		
600-29185-1	7 mm (B7)		Silicon Based Grease ****		
655-28716-1	7 mm (KR)	.04 in <sup>3</sup> /min to .18 in <sup>3</sup> /min .7 cm <sup>3</sup> /min to 3 cm <sup>3</sup> /min	Oil or Grease *****		

- \* Grease and chisel paste compatibility should be confirmed with Lincoln Technical
- \*\* Galvanized pump elements to withstand corrosion
- \*\*\* Special element designed to be used for applications on hydraulic hammers
- \*\*\*\* With bypass check valve
- \*\*\*\*\* Adjustable lubricant output pump element.

### Model 85830 ALS Fill Pump

Air-operated grease pump designed to fill pump reservoirs from drums. Includes pump, drum cover, high pressure hose, outlet swivel, control valve and universal swivel, whip hose, coupler and universal follower. For use with 120 lb. drums (not included). Fill nipple is not included and must be ordered separately.

Model No.	Bare Pump	Pump Ratio	Max. Working Pressure	Max. Air Pressure	Air Inlet	Lube Outlet	Hose
85830	V325120000	25:1	3750 psi 258 bar	150 psi 10.3 bar	3/8" NPT (female)	1/4" NPT (female)	3/8" ID x 10' SAE 100R2 high pressure hose (4000 psi/275 bar working pressure)



85830 shown with drum (not included)

### ALS Fill Pump Accessories

Model No.	Description
277059	Fill nipple (long) for 203 pump
277057	Grease coupler, 3/8" NPTF (female) inlet
674	Two wheel hand cart (to make package portable)
80895	Caster base (to make package portable)

### Quicklub Pump Accessories

Model No.	Description
638-37549-1	Manual grease filler pump—2-liter
638-37549-2	Manual grease filler pump—4- and 8-liter and 2-liter flat type
246322	Remote push-button manual lube upgrade kit for pumps with square DIN connectors (field replacement only)
256276	Remote push-button manual lube kit for pumps with bayonet round connectors (6 wire cord)
273921	Universal quickfill adapter for 2-, 4- and 8-liter pumps
538-36763-5	Fill adapter for 4- and 8-liter pumps
538-36763-4	90° fill adapter for 4- and 8-liter pumps
538-36763-1	Fill adapter for 2-liter pumps
241052	7.5 Amp fuse
241053	Standard fuse holder
276409	Heavy duty fuse holder
664-34195-9	45' 5 wire power cord (round bayonet)



638-37549-1



273921

Lubricant flows through supply lines between the pump and divider valves, then through feed lines between the divider valves and the bearing. Tubing and/or pipe sizes are determined after considering both the length of the line and the specific lubricant intended for use in the system.

Your Lincoln representative can assist you in the proper selection of supply and feed line material to optimize your application.

Listed below is a simplified outline of the installation components offered. For a complete listing of products, please refer to the pages in this catalog entitled Fittings, Adapters and Accessories. Additional installation componentry can be found in the Installation Components Catalog.

### TUBING

Hydraulic, Steel, Stainless Steel and Nylon  
 Single and Multiple Tube Clamps  
 Heavy-Duty, Standard-Duty, Threaded Sleeve and Snap-On Coupler Tube Fittings  
 Quickline™ Tubing Adapter  
 Zerk-Lock™ Grease Fitting Adapters  
 Non-Metallic

### PIPING

Seamless  
 Continuous Welded  
 Forged Fittings  
 Malleable Iron Fittings  
 316 Stainless Steel Pipe and Fittings  
 Stainless Steel Fittings  
 Galvanized Pipe, Threaded Plug and Fittings

### ACCESSORIES

Supply, Feed and Bulk Feed Line Hose  
 Air Hose  
 Kits for Hose Repair  
 Heavy-Duty Air Line Quick Disconnects

### AIR CONTROL AND ACCESSORIES

Manual Shut-Off Valves  
 Pressure Gauges  
 Lubricant Filters and Strainers

### AIRCARE™ AIR PREPARATION SYSTEMS

Modular Air Line Filters, Regulators and Lubricators  
 Integrated/Modular Filter/Regulator with Gauge  
 Modular Air Line Combination Units  
 High-Capacity Air Line Filters, Regulators and Lubricators  
 High-Capacity Air Line Combination Units  
 Miniature Air Line Components—Air Line Filter, Regulator and Lubricator  
 Miniature Air Line Combination Units  
 Modular Air Line Equipment Accessories:  
 Lockout Valve, Quick Clamp, Quick Clamp Wall Mounting Bracket, Porting Block, Quick Mount Pipe Adaptors, Manifold Block, Pressure Switch, Panel Nut, Wall Mount Bracket, Tamper resistant Cover and Seal Wire  
 Air Line Equipment Accessories:  
 Wall Mount Bracket, High Capacity; Mounting Bracket and Nut, Miniature; Pressure Gauges

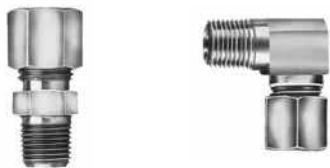
### PIPE FITTINGS

Reducing Bushings  
 Nipples  
 Couplings  
 Reducing Couplings  
 Street Ells  
 Tees  
 Crosses  
 Adapter Unions  
 Elbows  
 Pipe Fitting Adapters  
 Supply Line Swivels  
 Feed Line Swivels  
 Anchor and Junction Blocks



### Divider Valve Mounting Accessories

Model No.	Description
246416	Valve mounting bracket
51304	¼" nylon locknut for valve mounting
247023	Grade 8, ¼" valve mounting bolt
239499	Template for divider valve mounting (6, 8, 10 and 12 outlet valves)
252807	Valve mounting block for welding
249987	6mm bolt to be used with the 252807
272569	Lock washer for valve mounting



### Standard Compression Fittings for Steel or Nylon Tubing

Model No.	Description
241290	¼" tube x ⅛" NPT male straight fitting
241293	¼" tube x ⅛" NPT male 90° fitting



### Divider Valve Outlet Adapters for ¼" O.D. Steel or Nylon Tubing Compression-Style With Check Valve

Model No.	Description
68462	Ferrule ¼"
404-22602-1	Compression nut
504-31606-3	Check valve body
404-22581-2	Ferrule



### Divider Valve Outlet Adapters for ¼" O.D. Steel or Nylon Tubing Compression-Style Without Check Valve

Model No.	Description
404-20236-4	Compression nut
404-23668-1	Compression nut (stainless steel)
404-22581-2	Ferrule



### Divider Valve Outlet Adapters for ⅛" I.D. Hose

Model No.	Description
404-22581-2	Ferrule
239857	Valve outlet adapter with check (⅛" NPT female)
239959	Valve outlet adapter without check (⅛" NPT female)



### For SSVM Valves—Compression Fitting

Model No.	Description	Material	Feed Line Connection
13112	Compression nut	Brass	⅛" Steel or Nylon Tube
419-22990-1	Adapter		
419-22618-2	Ferrule		
519-30583-1	Check valve body		

**NOTE:** Quicklub® adapters without check valves are for use in oil systems with open tube (minimal backpressure). Quicklub adapters with check valves are for use in all automated systems.



**Zerk-Lock™ and Quicklinc® Make Connecting Fast**

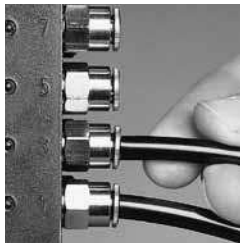
Quicklinc line connectors and adapters link metering valves and flexible lubrication lines. Outlet adapters with check valves are used in automated systems, while models without a check valve are used in manual systems—called single point kits—where a divider valve connected to several lubrication points is fed with a grease gun.

The Quicklinc tube splicer union is a great way to fix a broken line without replacing the whole line. Just clean the line ends, plug them into the connector and the line's repaired.

Quicklinc lube point connectors are ideal when fittings can be removed easily. All three varieties—straight, 90-degree elbow and elbow swivel—connect much faster than using a typical screw connector, which requires assembly of four components.

Zerk-Lock is Lincoln's other great time-saving connector. When removing a fitting is not practical, the Zerk-Lock grease fitting adapter is the answer. It connects any 1/8-inch male tube adapter directly to a grease fitting. Even when a fitting is self-tapered or pressed in, there's no need to drill it out and tap new threads with Zerk-Lock—a tremendous time saving.

Quicklinc and Zerk-Lock are designed to work well together. It's as simple as:



1. Install a Quicklinc into the divider valve and insert the line



2. Place a Zerk-Lock onto the fitting



3. Seal and tighten Zerk-Lock using a hammer and staking tool



4. Then thread a Quicklinc completely into the Zerk-Lock



5. And plug the tube into the Quicklinc adapter



**Quicklinc Push-In Style Fittings for Nylon Tubing**

Model No.	Description
244047	1/4" tube x 1/8" NPT male straight fitting
244048	1/4" tube x 1/8" NPT male 90° fitting
243699	1/4" tube x 1/8" NPT male 90° swivel fitting
244053	1/4" tube x 1/4 -28 male 90° swivel fitting
244054	1/4" tube x 1/4 -28 male 90° fitting
244055	1/4" tube x 1/4 -28 male straight fitting
244056	1/4" tube x 6x1 mm male 90° fitting
244057	1/4" tube x 6x1 mm straight fitting
244058	1/4" tube x 1/4" tube splicer union



**Divider Valve Outlet Adapters for 1/4" O.D. Nylon Tubing Quicklinc Push-In Style**

Model No.	Description
244883	Valve outlet fitting with check M10x1 thread
244884	Valve outlet fitting without check M10x1 thread



**Divider Valve Outlet & Inlet Adapters for 1/8" I.D. Hose Quicklinc Push-In Style with Check**

Model No.	Description
272658	Valve outlet fitting with check. Use with 272401 and 272394 hose stud. M10x1 thread
272659	1/8" NPT male straight fitting. Use with 272401 and 272394 hose stud.



IMPORTANT: Use the valve adapters for connecting the 1/8" high pressure hose (incl. hose stud with groove) to the main divider valve. The collet of the adapter is not knurled and has a wide collar.

Model No.	Description
432-24313-1	Protective Quicklinc rubber boot





### Divider Valve Outlet Closure Plug

Model No.	Description
303-17499-3	Valve outlet closure plug (gasket not required)
303-19346-2	Stainless steel outlet closure plug (gasket not required)

### 1/8" Supply and Feed Line Hose

Min. Burst	Lube Working Pressure	Nominal Size		Minimum Bending Radius	Construction	Temp.
		ID	OD			
10,000 psig 690 bar	4000 psig 276 bar	1/8"	5/16"	3 1/2"	Nylon Tube Dacron Braid Polyurethane Cover	-40°F to +212°F

Model No.	Description (1/8" ID hose)
241286	26 ft. (7.92 m) coil grease filled
241287	35 ft. (10.66 m) coil grease filled
241288	40 ft. (12.19 m) coil grease filled
252717	200 ft (60.96 m) coil non-grease filled
277226	2250 ft. (685.8 m) spool non-grease filled
276395	40 ft. (12.19 m) grease filled with quick wrap protection installed on hose

### Hose Ends for Use with Quickline Fittings for 1/8" ID Hose

Model No.	Description
272394	Hose stud, 90° (to be used with 272427)
272401	Hose stud, straight (to be used with 272427)
272427	Threaded sleeve
274238	Stainless steel hose stud sleeve
274239	Stainless steel straight hose

### Hose Ends for 1/8" I.D. Hose

Model No.	Description
241289	1/8" NPT swedge on hose stud (Requires swedging tool)
246002	1/8" NPT field installable hose coupling (swedging tool not required)
276954	1/8" NPT swedge on hose fitting with swivel (requires swedging tool)

### Hose End Connecting Tools

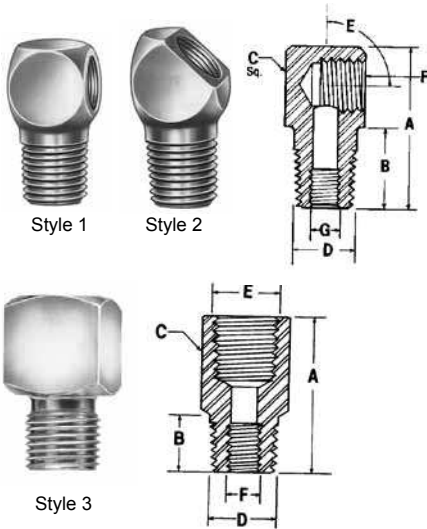
Model No.	Description
241238	Hose Swedging Tool
274062	Hand vise for quick connect and reusable hose ends

### Feed Line Nylon Tubing

Model No.	Description	O.D. In.	Wall Thickness in. / mm	Working Pressure		Minimum Bending Radius	Temp.
				psig	bar		
242025	25 ft./7.6 m coil grease filled	1/4" black	.050 / 1.27	625	42.5	.875 / 22.2	-65°F to +150°F
242050	50 ft./15.2 m coil grease filled						
62357	100 ft./30.5 m coil non-grease filled						
247022	500 ft./152.40 m coil non-grease filled						
274047	25 ft./7.6 m coil grease filled	1/4" grey	.062 / 1.575	500	34.5	0.5 / 12.7	-65°F to +200°F
274048	50 ft./15.2 m coil grease filled						
274049	100 ft./30.5 m coil non-grease filled						
274050	500 ft./152.4 m coil non-grease filled						

NOTE: Burst pressure 2500 psi (172 bar)





### Pipe Thread Adapters

Model No.	Style	A	B	C	D	E	F
13129	1	1½	⅞	⅝	⅛ NPTF	90°	⅛ NPTF
20024	3	⅞	⅝ <sub>16</sub>	½ hex	¼-28 Taper	⅛ NPSF	—
20026	1	1⅜ <sub>16</sub>	⅝ <sub>16</sub>	½ sq.	¼-28 Taper	90°	⅛ PTF
20028	2	1	1⅝ <sub>32</sub>	½ sq.	⅛ PTF	45°	⅛ PTF
20029	1	1	1⅝ <sub>32</sub>	½ sq.	⅛ PTF	90°	⅛ PTF
247616	2	1	1⅜ <sub>32</sub>	½ sq.	¼-28 Taper	45°	⅛ PTF
276631	1	1	⅝	½ sq.	¼-28 Taper	90°	⅛ NPTF
20012	1	1⅝ <sub>16</sub>	⅝	1⅜ <sub>16</sub> sq.	¼ NPT	90°	¼ NPT

### Steel Tubing

Model No.	Size (O.D. x Wall)			Working Pressure	Type
	O.D.	Wall	Length		
62175	⅝	.020"	25 ft/7.6 m	4400 psig / 300 bar	Coil

### Nylon Tubing

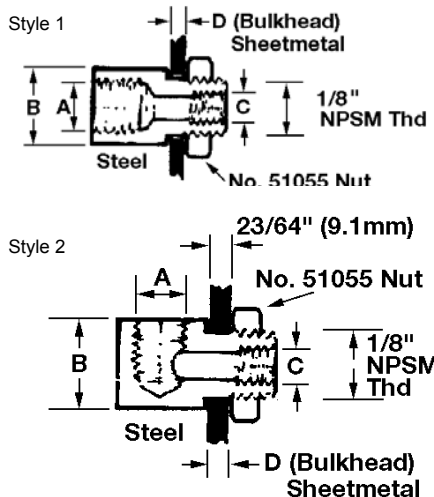
Model No.	Size (O.D. x Wall)			Working Pressure	Minimum Bending Radius
	O.D.	Wall	Length		
62256	⅝"	.026"	25 ft/7.6 m	625 psig / 42.5 bar	.375"
62278			100 ft/30.5 m		
62956			500 ft/152 m		

### Grease Fittings

Model No.	Description
700506	⅝" NPT threaded straight leakproof fitting
242125	Plastic grease fitting cap

### Fittings, Adapters and Installation Accessories

Model No.	Description
10130	⅝" NPT male x ⅝" NPT male nipple
10181	⅝" NPT male x ⅝" NPT female adapter, 1⅜" long
10182	⅝" NPT male x ⅝" female adapter, 1⅝ <sub>16</sub> " long
14562	2 outlet ⅝" NPT x ⅝" NPT junction block
14563	4 outlet ⅝" NPT x ⅝" NPT junction block
81583	Junction Block, ⅝" NPT
14570	Anchor block
276407	⅝" NPT male x ⅝" NPT female x ⅝" NPT female
10461	¼" NPT male x ⅝" NPT female reducing bushing



### Bulkhead Adapters

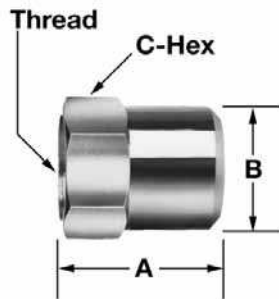
Model No.	Style	A	B	C	D
13154	1	⅝" PTF	½" / 12.7 mm	¼" -28	⅜" / 4.8 mm
14054	1	⅝" PTF	½" / 12.7 mm	¼" -28	¼" / 6.4 mm
13155	2	⅝" PTF	½" / 12.7 mm	¼" -28	⅜" / 4.8 mm
244225	1	⅝" NPT	⅞" hex	⅝" NPT	⅞"
51055	⅝" N.P.S.M. thread				



### Metric Adapters\*

Model No.	Description
20042	M6X1 male x 1/8" NPSF female straight
20043	M6X1 male x 1/8" NPSF female 90°
244201	1/8" BSPT male x 1/8" NPT female thread
304-19166-1	M6X1 male x 1/4" - 28 SAE female
304-19165-1	M8X1 male x 1/4" - 28 SAE female
304-19164-1	M10X1 male x 1/4" - 28 SAE female
241650	1/8" BSPT male x 1/8" NPT female thread - stainless steel
273482	M8X1 male x 1/8" NPT female straight
277307	M8X1 female x M8X1.25 male 90°

\* Contact Lincoln for a complete metric Quicklub catalog.



### Zerk-Lock™ Grease Fitting Adapter

Connects any 1/8" NPTF male tube adapter directly to a standard grease fitting. Aluminum, carbon steel construction; fluorocarbon elastomer seal.

Model No.	Thread	Dimensions		
		A in./mm	B in./mm	C-Hex in. / mm
270784	1/8" NPSL Female	.625 / 15.9	.500 / 12.7	.500 / 12.7

**Note:**

Zerk-Lock, with a straight female thread, is designed to accept a tube connector with a tapered male thread. This tapered to straight thread engagement is required for secure seal.

Model No.	Description
247615	Staking tool for the 270784 Zerk Lock fitting



### Swivels

Model No.	Description
91048	1/8" NPT male x 1/8" NPT female 90° swivel
91308	1/8" NPT male x 1/8" NPT female straight swivel

### Street Tee

Model No.	Description
276407	1/8" NPT male x 1/8" NPT female x 1/8" NPT female

### Adapter Unions

Model No.	Description
66649	1/8" NPT male x 1/8" NPT female swivel adapter union

### Installation/Assembly Tools

Model No.	Description
226-12508-5	Plastic Tube & Hose Cutter
226-13095-7	Replacement Blade
241238	Hose Swedging Tool
274062	Hand vise for quick connect and reusable hose ends
532-31847-1	Tool for Loosening Quickline-Type Fittings
276424	Quicklub Spare Parts Kit



### Quick Wrap for Line Bundling and Protection

Quick split wrap makes bundling and protecting lube lines fast. It's as simple as:



1. Place installation tool around group of lines
2. Slide Quick Wrap onto line bundle

Model No.	Description	Installation Tool Required	Approx. Number of 1/4" Tube	Approx. Number of 1/8" ID Hose
276389	5/8" Quick Wrap (164' roll)	276634	2 - 5	2 - 3
276390	3/4" Quick Wrap (100' roll)	276634	5 - 7	3 - 4
276391	1" Quick Wrap (65' roll)	276635	7+	4+



### System Finishing Accessories

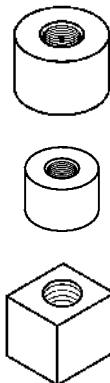
Model No.	Description
241110	Feed line bundling spiral wrap (10 ft. / 3 m length)
241120	Feed line bundling spiral wrap (20 feet/6m of spiral wrap)
276693	300 feet of spiral wrap
241055	Nylon ties (50 count poly bag) 7" / 177.8 m length
241054	Nylon ties (100 count poly bag) 7" / 177.8 m length
274097	20 feet/6m of 3/8" convoluted loom/split wrap
274098	20 feet/6m of 1/2" convoluted loom/split wrap
274099	20 feet/6m of 5/8" convoluted loom/split wrap

### Pump Mounting Bracket and Hardware for 203 Series and QLS 300 & 400 Series Pumps



Model No.	Description
249520	Pump mounting bracket for 203/301/401/653 Series pumps
249209	12 mm x 1 1/2" long grade 8 bolt for 249520 pump bracket (2 required)
274820	Pump and primary valve mounting bracket

### Stand Offs for Mounting SSV Valves, P-Clamps and Angle Iron



Model No.	Description
252807	Valve mounting block for welding
249987	6mm bolt to be used with the 252807
249850	12mm round stand off
270928	12mm square stand off
249848	12mm x 5/8" long bolt to be used with 249850 and 270928
249851	10mm round stand off
249849	10mm x 5/8" long bolt to be used with 249851

These kits are designed to service up to 12 points from a single grease fitting utilizing our 12-point SSV series divider valve. The kits, which are available with or without a grease gun, include all componentry required to install the system. Kits are available primed with NLGI #2 grease or non-filled if a specific grade or type of grease is to be used.

These kits effectively replace the concept of using grease fittings mounted to a central manifold with a system that delivers precise amounts of lubricant, fully monitored with the divider valve's indicator pin. Kits include 100' ¼" nylon tubing, 12 straight Quicklinc® tube fittings, 12 Zerk-Lock™ adapters, mounting clips and hardware.

## Quicklub Centralized Lubrication Kits

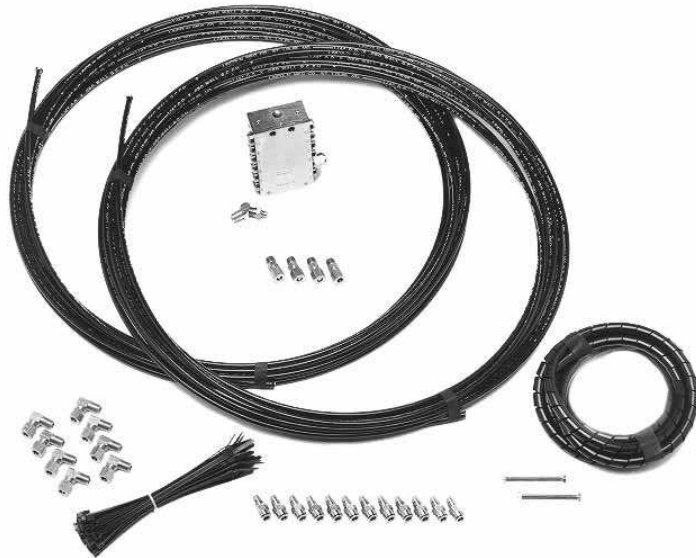
Single point kits contain all items required to install a system on your machinery, including a complete installation/service manual. The selection chart describes the models available to meet your specific needs.

Model No.	Selection Chart Description	Tubing
87311	Kit with single fitting for use with portable grease gun.	Non-filled
87312		Pre-filled
87412	Complete kit with grease gun for permanent mounting.	Pre-filled



**Trailer Kits—Unassembled**

Model No.	Description
239406	6-point manual QL kit
239408	8-point manual QL kit
239410	10-point manual QL kit
239412	12-point manual QL kit
239418	18-point manual QL kit



**Trailer Kits—Preassembled**

Model No.	Description
244512	12-point manual QL kit—tandem axle

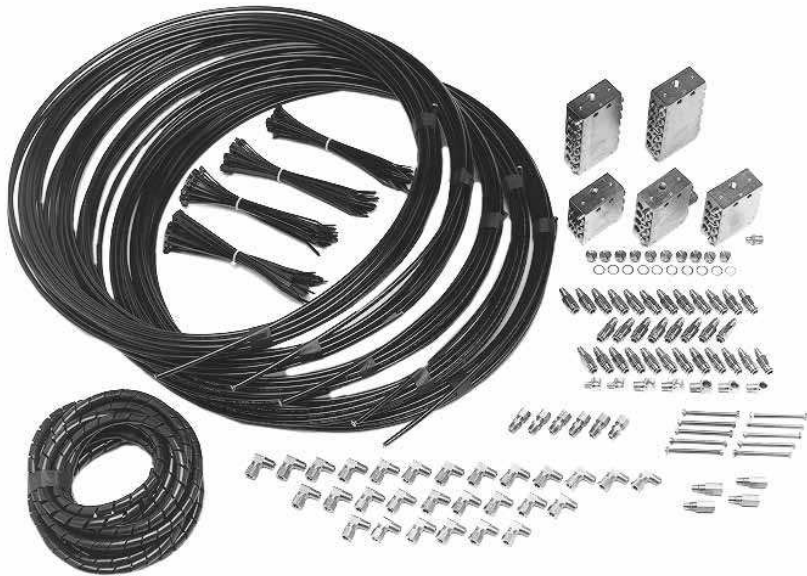


**Note:** Above referenced kits require purchase of electric grease pump (see Pump section of this catalog) when fully automated system is desired.



**Tractor/Truck Kits**  
**Unassembled Kits**

Description	Manual Kits	Automated Kits
24-point QL kit	241324	241124 (includes 241324 and 94012)
28-point QL kit	241328	241128 (includes 241328 and 94012)
32-point QL kit	241332	241132 (includes 241332 and 94012)
33-point QL kit	241333	241133 (includes 241333 and 94012)



**Preassembled Manual Kits**

Model No.	Description
247232	32-point manual preassembled kit



**Note:** Above referenced kits require purchase of electric grease pump (see Pump section of this catalog) when fully automated system is desired.

Model No.	Page No.	Model No.	Page No.	Model No.	Page No.	Model No.	Page No.
674	24	241324	34	272633	23	304-19614-1	9, 23
10130	29	241328	34	272634	23	404-20236-4	26
10181	29	241332	34	272643	23	404-22581-2	26
10182	29	241333	34	272658	27	404-22602-1	26
10461	29	241650	4, 30	272659	27	404-23668-1	26
13112	26	242025	28	273422	23	419-22618-2	26
13129	29	242050	28	273425	23	419-22990-1	26
13154	29	242125	29	273426	23	432-24313-1	27
13155	29	243699	27	273482	30	444-70490-1	14
14054	29	244047	27	273921	24	444-70491-1	14
14562	29	244048	27	274047	28	504-31606-3	26
14563	29	244053	27	274048	28	51055	29
14570	29	244054	27	274049	28	51304	26
20012	29	244055	27	274050	28	519-30583-1	26
20024	29	244056	27	274062	28, 30	519-34271-2	23
20026	29	244057	27	274097	31	519-34271-7	23
20028	29	244058	27	274098	31	519-34271-8	23
20029	29	244201	30	274099	31	519-34339-3	23
20042	30	244225	29	274149	23	519-34339-4	23
20043	30	244512	33	274238	28	532-31847-1	30
226-12508-5	30	244883	27	274239	28	538-36763-1	24
226-13095-7	30	244884	27	274820	31	538-36763-4	24
226-14105-5	23	246002	28	274847	23	538-36763-5	24
236-10580-1	23	246322	24	276389	31	544-32022-1	14
236-14261-9	23	246416	26	276390	31	544-32023-1	14
237-13381-2	23	247022	28	276391	31	544-32695-1	14
237-13381-3	23	247023	26	276395	28	544-32696-1	14
239406	33	247232	34	276407	29, 30	544-32957-2	14
239408	33	247615	30	276409	24	549-34254-1	6
239410	33	247616	29	276424	30	549-34254-2	6
239412	33	249010	4	276631	29	549-34254-3	6
239418	33	249209	31	276634	31	549-34254-4	6
239499	26	249520	31	276635	31	549-34254-5	6
239857	26	249848	31	276693	31	549-34254-6	6
239959	26	249849	31	276954	28	549-34254-7	6
241052	24	249850	31	277057	24	549-34254-8	6
241053	24	249851	31	277059	24	549-34254-9	6
241054	31	249987	26, 31	277226	28	549-34255-1	6
241055	31	252717	28	277307	30	600-26875-2	24
241110	31	252807	26, 31	303-16118-1	6	600-26876-2	8
241116	34	256276	24	303-16119-1	6	600-26876-2	24
241120	31	270784	30	303-16120-1	6	600-26877-2	24
241124	34	270864	8, 23	303-16121-1	6	600-28750-1	23, 24
241128	34	270928	31	303-16122-1	6	600-29110-1	24
241129	34	271374	23	303-16123-1	6	600-29185-1	24
241132	34	271924	22	303-16124-1	6	600-29304-1	24
241133	34	271925	22	303-16125-1	6	619-26396-2	4
241238	28, 30	271926	22	303-16126-1	6	619-26398-2	4
241286	28	271927	22	303-16127-1	6	619-26646-2	4
241287	28	272394	27, 28	303-17499-3	28	619-26648-2	4
241288	28	272401	27, 28	303-19346-2	28	619-26650-1	5
241289	28	272427	28	304-19164-1	30	619-26651-3	5
241290	26	272569	26	304-19165-1	30	619-26653-1	5
241293	26	272632	23	304-19166-1	30	619-26654-3	5

Model No.	Page No.	Model No.	Page No.	Model No.	Page No.	Model No.	Page No.
619-26764-1	5	644-46174-4	11	80895	24	P311 31211154	19
619-26765-3	5	644-46278-1	8	81583	29	P311 31411110	20
619-26844-1	4	644-46278-3	8	85414	22	P311 31411154	19
619-26845-2	4	649-29535-1	6	85424	22	P311 42611114	19
619-26848-1	5	649-29536-1	6	85425	22	P311 42811114	19
619-26849-2	5	649-29537-1	6	85429	22	P311 61211154	19
619-27121-1	4	649-29538-1	6	87311	32	P311 61411110	20
619-27122-1	4	649-29539-1	6	87312	32	P311 61411154	19
619-27472-1	4	649-29540-1	7	87412	32	P311 62611114	19
619-27474-1	4	649-29541-1	7	85830	24	P311 62811114	19
619-27476-1	4	649-29542-1	7	91048	30	P311 91211154	19
619-27478-1	4	649-29543-1	7	91308	30	P311 91411154	19
619-28899-1	4	649-29544-1	7	94012	8	P311 92611114	19
619-28900-1	4	649-29545-1	6	94024	8	P311 92811114	19
619-28901-1	4	649-29546-1	6	94212	8	P401 31202574	15
619-28902-1	4	649-29547-1	6	94222	9	P401 31401110	16
619-29067-1	4	649-29548-1	6	94223-12	10	P401 31402574	15
619-29400-1	4	649-29549-1	6	94223-AC	10	P401 42601114	15
619-29401-1	4	649-29550-1	7	94223	10	P401 42801114	15
619-36732-1	5	649-29551-1	7	94224	8	P401 61202574	15
619-36732-2	5	649-29552-1	7	94412	8	P401 61401110	16
619-77254-1	4	649-29553-1	7	94412LDL	8	P401 61402574	15
62175	29	649-29554-1	7	94422	9	P401 62601114	15
62256	29	649-29627-1	6	94423-12	10	P401 62801114	15
62278	29	649-29628-1	6	94423-AC	10	P401 91202574	15
62357	28	649-29629-1	6	94423	10	P401 91401110	16
624-28894-1	23	649-29630-1	6	94423LDL	10	P401 91402574	15
624-28895-1	23	649-29631-1	7	94424	8	P401 92601114	15
624-28931-1	23	649-29632-1	7	94434LDL	13	P401 92801114	15
62956	29	649-29633-1	7	94812	8	P421 61202531	21
638-37549-1	24	649-29634-1	7	94812LDL	8	P421 61222531	21
638-37549-2	24	649-29635-1	6	94822	9	P421 91202531	21
644-40821-6	9	649-29636-1	6	94822LDL	9	P421 91402531	21
644-40822-8	9	649-29637-1	6	94823	10	V325120000	24
644-40824-1	13	649-29638-1	6	94823-12	10		
644-40824-2	13	649-29639-1	7	94823-AC	10		
644-40826-1	13	649-29640-1	7	94823LDL	10		
644-40827-1	13	649-29641-1	7	94824	8		
644-40843-8	9	649-29642-1	7	94824LDL	8		
644-40867-1	13	650-40765-4	20	94834LDL	13		
644-40868-1	13	650-40768-3	20	94923	10		
644-40869-1	13	650-40768-4	20	P301 31211154	18		
644-40870-1	13	650-40768-5	20	P301 31411110	20		
644-40873-1	9	650-40915-8	16	P301 31411154	18		
644-40987-2	9	650-40915-9	16	P301 42611114	18		
644-41040-1	13	655-28716-1	24	P301 42811114	18		
644-46073-5	11	664-34005-5	23	P301 61211154	18		
644-46073-6	11	664-34005-6	23	P301 61411154	18		
644-46173-4	11	664-34195-9	24	P301 62611114	18		
644-46173-5	11	664-36070-5	23	P301 62811114	18		
644-46173-6	11	664-36070-6	23	P301 91211154	18		
644-46173-7	11	66649	30	P301 91411154	18		
644-46173-8	11	68462	26	P301 92611114	18		
644-46174-2	11	700506	29	P301 92811114	18		

# A complete line of lubrication solutions and industrial pumping products

## Automatic lubrication

Our automatic systems dispense measured amounts of lubricant at predetermined intervals. Systems include Helios and Duo-Matic™ two-line systems, and Centro-Matic, Modular Lube, Quicklub and ORSCO precision oil lubrication. With our BearingSaver program, we find the best automatic solution for you from our wide range of systems for grease, fluid grease and oil.



## General lubrication

Sometimes a simple approach is the best solution. Our wide range of products includes smaller, self-contained automatic lubricators and general lubrication equipment.



## Industrial pumping

Lincoln has developed specialized pumps and pumping stations to handle the difficult job of transferring thick fluids. From the industry-best PileDriver III and PowerMaster III pumps and air motors to specialty pumps, controls and mounting accessories, Lincoln is the preferred pumping system for many tough applications.





© SKF is a registered trademark of the SKF Group.

© Lincoln, Quicklub, Quickline, BearingSaver, Helios, Centro-Matic, Modular Lube, PileDriver III and PowerMaster III are registered trademarks of Lincoln Industrial Corp.

© SKF Group 2014

The contents of this publication are the copyright of the publisher and may not be reproduced (even extracts) unless prior written permission is granted. Every care has been taken to ensure the accuracy of the information contained in this publication but no liability can be accepted for any loss or damage whether direct, indirect or consequential arising out of the use of the information contained herein.

December 2014 · FORM 442833



[skf.com](http://skf.com)