

# Condition Monitoring and Diagnostic Solutions Sensonode™ Silver Sensors and Software

Sensors, Software, and Accessories  
Catalog 3864 USA | April 2023  
PDF Update: May 11, 2023



ENGINEERING YOUR SUCCESS.

# Quick Coupling Division Locations



Minneapolis, MN



Grantsburg, WI



Chetek, WI



Union City, PA

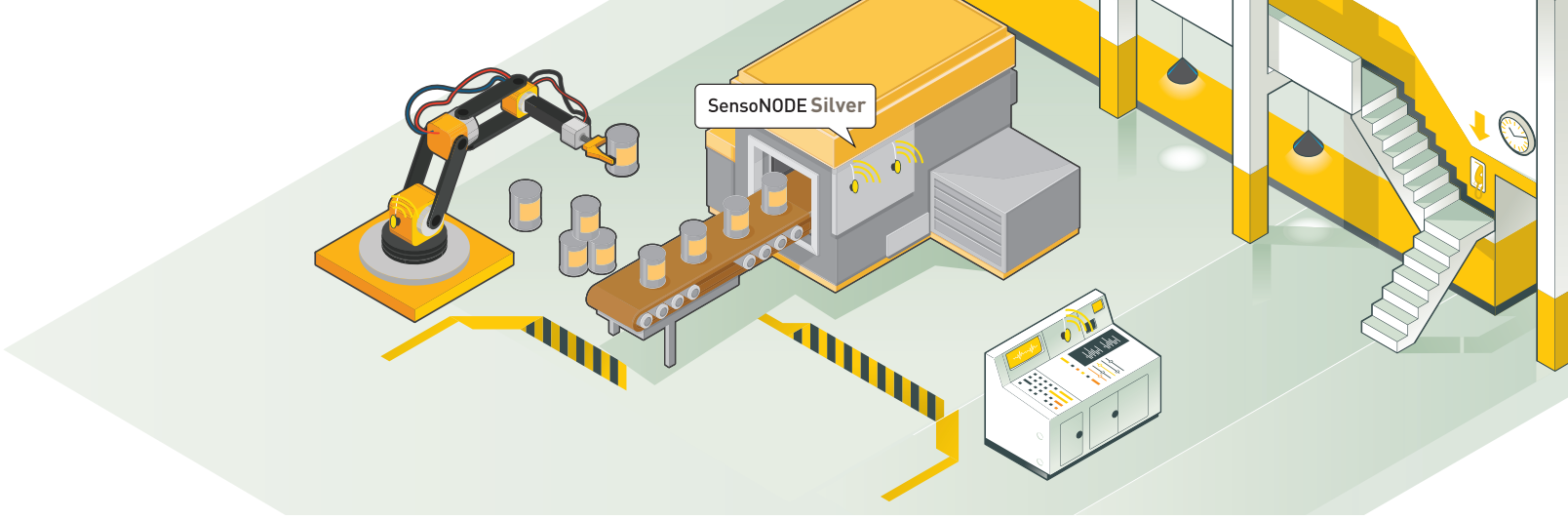
## **WARNING**

### **FAILURE OR IMPROPER SELECTION OR IMPROPER USE OF THE PRODUCTS DESCRIBED HEREIN OR RELATED ITEMS CAN CAUSE DEATH, PERSONAL INJURY AND PROPERTY DAMAGE.**

- This document and other information from Parker Hannifin Corporation, its subsidiaries and authorized distributors provide product or system options for further investigation by users having technical expertise.
- The user, through its own analysis and testing, is solely responsible for making the final selection of the system and components and assuring that all performance, endurance, maintenance, safety and warning requirements of the application are met. The user must analyze all aspects of the application, follow applicable industry standards, and follow the information concerning the product in the current product catalog and in any other materials provided from Parker or its subsidiaries or authorized distributors.
- To the extent that Parker or its subsidiaries or authorized distributors provide component or system options based upon data or specifications provided by the user, the user is responsible for determining that such data and specifications are suitable and sufficient for all applications and reasonably foreseeable uses of the components or systems.

### **Offer of Sale**

The items described in this document are hereby offered for sale by Parker Hannifin Corporation, its subsidiaries or its authorized distributors. This offer and its acceptance are governed by the provisions stated in the "Offer of Sale."



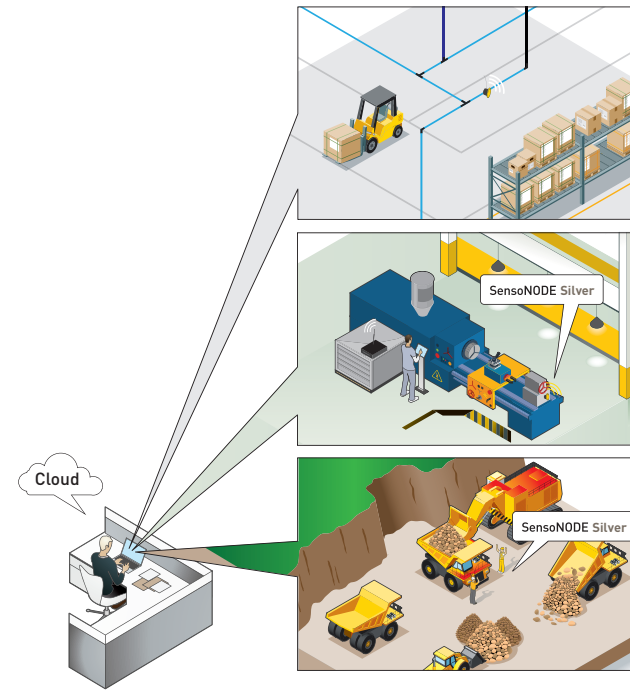
# Table of Contents

Introduction ..... 4-5

Product Comparison ..... 6

**SensoNODE™ Silver Sensors**  
**and Voice of the Machine Cloud Software** ..... 7

    Pressure Sensors ..... 8-9

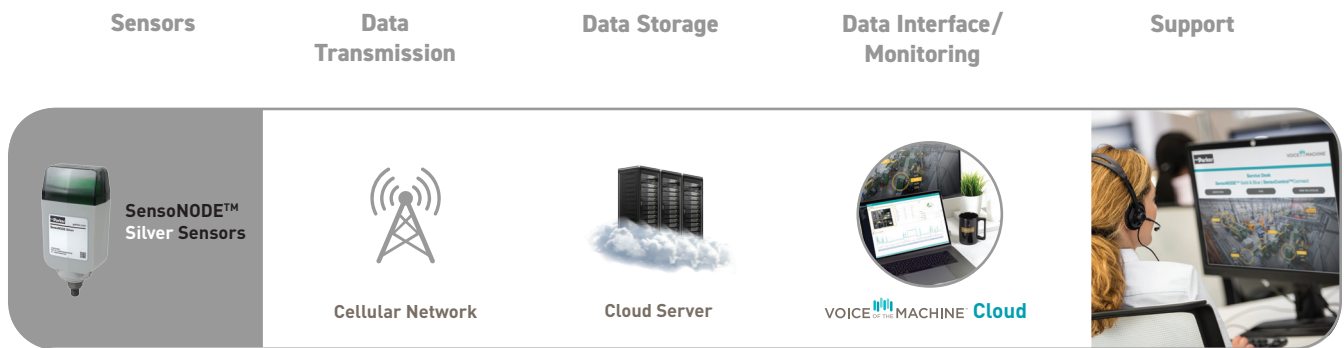


# Parker's Complete IoT-based Condition Monitoring and Diagnostics System

The Internet of Things (IoT) has changed the way manufacturing works, and **you can't afford to be left behind**. Global competitiveness drives companies to find new ways to improve efficiency and product quality, and incorporating IoT-enabled solutions into your operations ensures your company is moving forward.

Parker's **SensoNODE™ sensors and Voice of the Machine™ software** platforms are IoT-empowered solutions that create new, advanced condition monitoring possibilities to **reduce downtime** and **decrease maintenance costs**, helping you to **maintain production and improve efficiency**.

With multiple sensor options, software configurations, and integrating with existing infrastructure, **we partner with customers** to identify the best solution for each application.



# Condition Monitoring for Preventative and Predictive Maintenance



## REACTIVE

FIX IT WHEN IT BREAKS



## PREVENTATIVE

SCHEDULE MAINTENANCE  
JUST IN CASE



## PREDICTIVE

MAINTAIN IT BEFORE IT  
BREAKS



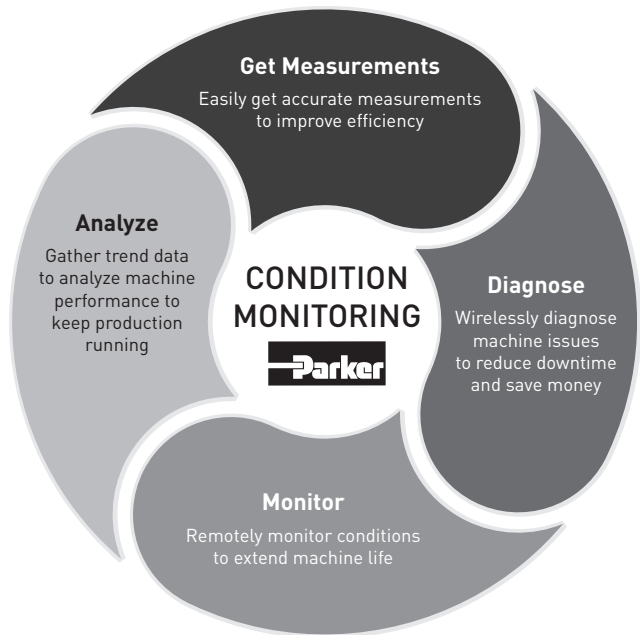
CONDITION MONITORING ENABLES

IoT-based condition monitoring is driving data generation to monitor and analyze performance of machines and processes in manufacturing.

This is leading to improved maintenance practices that are helping maintenance and operations teams identify issues before they escalate to big challenges resulting in shutdowns of machines and production.

By switching from manual maintenance practices and run-to-failure strategies to more preventative and predictive maintenance tactics, maintenance teams are discovering benefits and better results including:

- Increased uptime
- Decreased maintenance costs
- Increased asset lifetime
- Reduction in safety risks



# Condition Monitoring Solutions

	SensoNODE Silver and Cloud
<b>Primary Application</b>	
Wireless Continuous Remote Monitoring	√
Wireless Route-Based Monitoring	
Diagnostics	
<b>Communication Method</b>	
Sub-GHz Wireless	
Cellular	√
Bluetooth Low Energy (BLE)	
Wires	
<b>Key Features</b>	
Alert Notifications - Text, Email	√
In-Use Alarms	√
Export and Share Data	√
Recordings	√
View Historical Data	√
Configurable Dashboards	√
Functions or Calculations	√
Configurable Units of Measure	√
Multiple Visualizations	√
Viewable on Multiple Devices	√
Add Sensors Instantly	√
Fastest Measurement Rate	20 minutes
Pressure Spike and Drop Capturing	
Synchronization of Measurement Inputs	
Battery Life	Rate Dependent
FCC, IC, &/or CE Certified	√
Sensor IP Rating	See Product Technical Data
<b>Data Storage</b>	
Cloud	√
Local Server	√
Mobile Device	
Handheld Meter	
<b>Interface</b>	
Desktop/Laptop	√
Mobile App	
Handheld Meter	
<b>Other</b>	
Software License	
Cloud Subscription Required	√
Optional Cellular Subscription	Mandatory
Internet/WiFi/LAN Required	
Gateway Required	
Site Survey Required	

\*In Broadcast Mode Only \*\*0.1ms Available on ServiceMaster+ \*\*\*Varies with Handmeters



# SensoNODE™ Silver Sensors and Voice of the Machine™ Cloud Interface

Our SensoNODE Silver wireless sensors utilize cellular technology to send data directly to the Voice of the Machine Cloud Interface. This means no gateway is required. This makes SensoNODE Silver ideal for applications where gateways are impossible or inconvenient.

SensoNODE Silver Sensors are best for applications when infrequent measurements are needed to monitor equipment or machines. The sensors are IP65 rated. They require (3) Energizer AA batteries.

Should you not see a pressure range which satisfies your needs, do not see a port configuration which you require, or foresee a unique use-case which requires insight and experience to achieve success, please contact us. We are happy to work with your team to create custom configurations.

## SensoNODE™ Silver Sensors

**Communication Technology:** Cellular

**Software Platform:** Voice of the Machine™ Cloud

**Interface:** Optimized for Windows, Linux, and MacOS based hardware. Android and iOS mobile devices.

**Data Storage:** Cloud

**Applications:** Infrequent continuous measurements. Locations where gateways are impossible or inconvenient. Single sensor implementations.

**Sensor Types:** Pressure

**Requirements:** Voice of the Machine™ Cloud and cellular service

## Voice of the Machine™ Cloud Interface

Cloud-based software interface provides flexible organizational structure. Easy enough to visualize a single sensor. Robust enough to present unlimited customers, locations, assets, sensors, and signals in an easily digestible format.

**Interface:** Optimized for Windows, Linux, and MacOS based hardware via an internet browser. Android and iOS mobile devices via mobile internet browser.

**Sensors:** SensoNODE™ Gold and Silver

**Data Storage:** Cloud

**Applications:** Continuous condition monitoring at predetermined intervals. Designed for in-plant, on-premise use, or remote locations. Low implementation effort required. View SensoNODE™ Gold and Silver signals on single dashboard.

**Requirements:** Parker Gateway, internet connectivity

- Customizable dashboards
- Email / SMS alerts
- Gateway statistics
- Historical graphing
- Kiosk display mode
- Live measurements
- OEM cloud instances
- Sensor battery levels
- Templating capabilities
- Wireless signal strengths



### Features:

- Available in a variety of pressure ranges from -14.5 psi to 8700 psi.
- There are actually 23 user-selectable units of measure (for pressure alone) in the VoM Cloud
- User-definable measurement units (psi/bar) for convenient and familiar data readings.
- Port options: Male NPT or SAE thread and EMA or PD quick couplers for fast and easy connecting.
- Corrosion resistant materials for challenging environments.
- Sensor also provides ambient temperature values.
- Sensors are set with a report rate of once every 20 minutes.

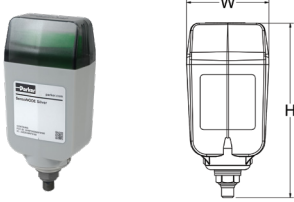
### Sensor Technical Data

Housing Material	Polycarbonate	Polycarbonate	Polycarbonate	Polycarbonate	Polycarbonate	Polycarbonate	Polycarbonate
Port	1/4" Male NPT	1/4" Male NPT	1/4" Male NPT	-4 SAE	-4 SAE	-4 SAE	-4 SAE
Wetted Parts Material	17-4 Stainless	17-4 Stainless	17-4 Stainless	17-4 Stainless and Nitrile	17-4 Stainless and Nitrile	17-4 Stainless and Nitrile	17-4 Stainless and Nitrile
Measurement Range (pressure)	-14.5 to 14.5 psi [-1 to 1 bar]	0-150 psi [10 bar]	0-232 psi [16 bar]	0-1500 psi [100 bar]	0-3625 psi [250 bar]	0-5800 psi [400 bar]	0-8700 psi [600 bar]
Max. Overload Pressure	29 psi	225 psi	350 psi	2250 psi	5440 psi	8700 psi	13,050 psi
Burst Pressure	3x	4x	4x	4x	4x	4x	4x
Accuracy (at 77°F/ 25°C)	1.5%	1.5%	1.5%	1.5%	1.5%	1.5%	1.5%
Resolution	.01 psi	.1 psi	.1 psi	1 psi	1 psi	1 psi	1 psi
Measurement and Broadcast Interval	User Selectable	User Selectable	User Selectable	User Selectable	User Selectable	User Selectable	User Selectable
Report Rate (min)	20 min	20 min	20 min	20 min	20 min	20 min	20 min
Ambient Temperature* (battery limited)	-4°F to 158°F [-20°C to 70°C]	-4°F to 158°F [-20°C to 70°C]	-4°F to 158°F [-20°C to 70°C]	-4°F to 158°F [-20°C to 70°C]	-4°F to 158°F [-20°C to 70°C]	-4°F to 158°F [-20°C to 70°C]	-4°F to 158°F [-20°C to 70°C]
Fluid Media Temperature Range	-40°F to 185°F [-40°C to 85°C]	-40°F to 185°F [-40°C to 85°C]	-40°F to 185°F [-40°C to 85°C]	-40°F to 185°F [-40°C to 85°C]	-40°F to 185°F [-40°C to 85°C]	-40°F to 185°F [-40°C to 85°C]	-40°F to 185°F [-40°C to 85°C]
Full Range Life Cycles	> 1 million	> 1 million	> 1 million	> 1 million	> 1 million	> 1 million	> 1 million
Certifications	FCC, IC	FCC, IC	FCC, IC	FCC, IC	FCC, IC	FCC, IC	FCC, IC
Battery (Energizer is recommended brand)	AA	AA	AA	AA	AA	AA	AA
IP Rating	IP65	IP65	IP65	IP65	IP65	IP65	IP65

Note: Consult QCD for other port options, pressure ratings, and port seal materials.

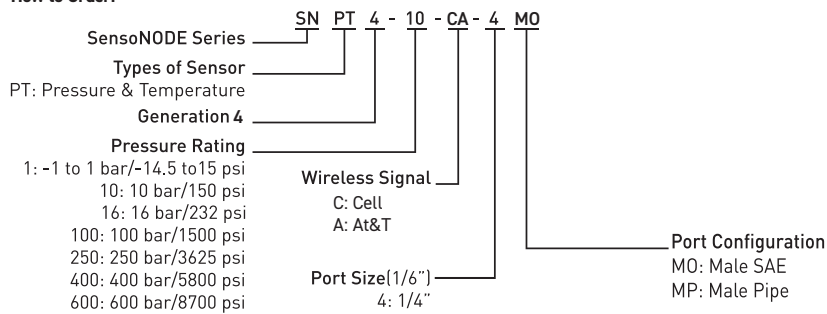
\*Ambient temperature range can be broadened by installing Wired Power Adapter (SNWP2-B)



Pressure Sensors				
				
Part Number	Pressure Rating psi [bar]	Port	Width	Height
SNPT4-1-CA-4MP	-14.5 to 14.5 [-1 to 1]	1/4" Male NPT	3.00" [76mm]	6.33" [161mm]
SNPT4-10-CA-4MP	0-150 [10]	1/4" Male NPT	3.00" [76mm]	6.33" [161mm]
SNPT4-16-CA-4MP	0-232 [16]	1/4" Male NPT	3.00" [76mm]	6.33" [161mm]
SNPT4-100-CA-4MO	0-1500 [100]	-4 SAE	3.00" [76mm]	6.33" [161mm]
SNPT4-250-CA-4MO	0-3625 [250]	-4 SAE	3.00" [76mm]	6.33" [161mm]
SNPT4-400-CA-4MO	0-5800 [400]	-4 SAE	3.00" [76mm]	6.33" [161mm]
SNPT4-600-CA-4MO	0-8700 [600]	-4 SAE	3.00" [76mm]	6.33" [161mm]

Note: Products in catalog are currently only for sale in U.S and Canada.

**How to Order:**



**WARNING**

The products listed can expose you to chemicals including Lead, which is known to the State of California to cause cancer, and to cause birth defects or other reproductive harm. For more information go to [www.P65Warnings.ca.gov](http://www.P65Warnings.ca.gov)



# Notes

---

# Notes

---

# Parker Fluid Connectors Group

**Your complete source** for quality tube fittings, hose & hose fittings, brass & composite fittings, quick-disconnect couplings, valves, and assembly tools, locally available from a worldwide network of authorized distributors.

## **Fittings:**

Available in inch and metric sizes covering SAE, BSP, DIN, GAZ, JIS, and ISO thread configurations, manufactured from steel, stainless steel, brass, aluminum, nylon, and thermoplastic.

## **Hose, Tubing, and Bundles:**

Available in a wide variety of sizes and materials including rubber, wire-reinforced, thermoplastic, hybrid and custom compounds.

## **Worldwide Availability:**

Parker operates Fluid Connectors manufacturing locations and sales offices throughout North America, South America, Europe, and Asia-Pacific.

For more information on

## **SensoNODE and Voice of the Machine** products:

**Visit:** [Parker.com/ConditionMonitoring](http://Parker.com/ConditionMonitoring)

**Call:** (763) 544-7781

For more information on

## **SensoControl Wired Diagnostic and Control** products:

**Visit:** [Parker.com/SensoControl](http://Parker.com/SensoControl)

**Call:** (763) 544-7781

**Have questions or need help?** Sign into our Condition Monitoring Service Desk.

**Solutions.Parker.com/loT-Support**

Sales of **SensoNODE** Sensors and **Voice of the Machine** Software in U.S., Canada and Europe. Consult QCD for other regions.

