

# DESTACO CUSTOM SOLUTIONS

Making Our Products Special for You



Precision in Productivity™

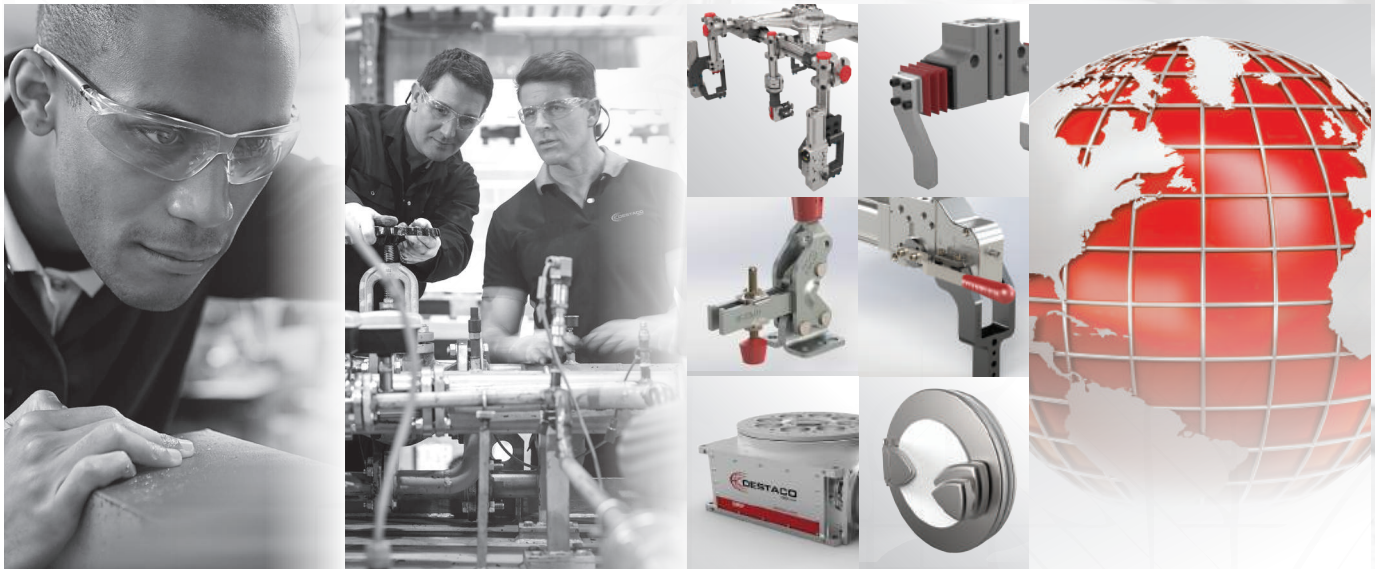
End Effectors	Grippers	Indexers
Manual Clamps	Power Clamps	Remote Handling

[destaco.com](http://destaco.com)

## DESTACO Mission Statement

Enable optimal manufacturing productivity through a comprehensive suite of easy to integrate high-performance, precision automation, workholding and containment solutions.

- **Focused** - Dedicated talent and resources to help manufacturers improve precision and productivity
- **Insightful** - Full line of products improves production flexibility and meets any manufacturing requirement
- **Comprehensive** - Through perspective gained on plant floors around the world, we deliver unique, creative solutions nobody else can
- **Global** - Production, customer and technical support worldwide, wherever you need us



**FOCUSED**



**INSIGHTFUL**



**COMPREHENSIVE**



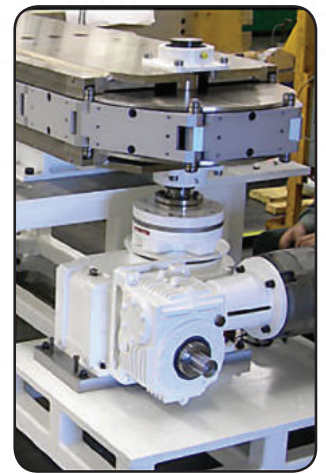
**GLOBAL**

## When an off-the-shelf product can't handle it - we can!

With many years of experience working with OEM machine builders, we can make our product fit your unique application. We will partner with you to design the right product for your application – from altering an existing product to building a completely new product, we have the experience and expertise to help your project succeed.

Using our expertise to develop custom solutions for unique applications, DESTACO helps you save time and resources, allowing you to focus on your core business and gain a competitive advantage in the marketplace.

- Proven quality from the experts
- Reduce risk by using our experienced engineers
- Easy reordering with unique part numbers
- Simplify your supply chain
- Three levels of customization from simple alterations to complex custom products



DESTACO Central Research Laboratories (CRL) remote handling automation and containment solutions are designed for safe and efficient handling of material where the human operator cannot have direct contact. Partner with us to develop a custom solution to fit your unique application needs.

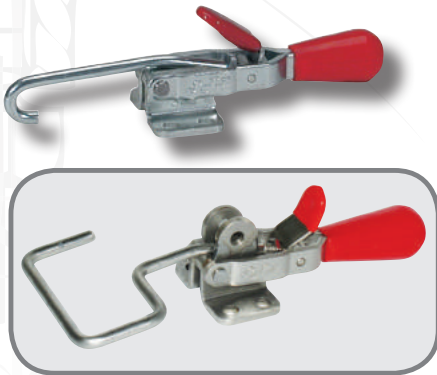
- Gloveport Systems
- Rapid Transfer Ports
- Telemanipulators
- Contained Waste Drum Loading Systems



### Custom Solutions for Manual Clamps

Below are some examples of standard products modified to customer specified custom solutions. If there is no product that fits your needs, we will partner with your to design a product that fits.

Model 330  
Standard Product



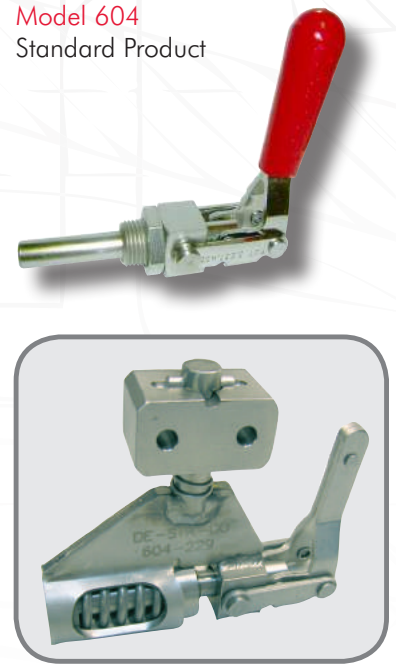
330-201 Stainless steel clamp with special hook and locking tab

Model 2002-U  
Standard Product



2002-200 with bar cut and bolt retainer welded on

Model 604  
Standard Product



604-229 Stainless steel straight line clamp used in chemical machining process

Contact us today to get started on your custom application: [clamps@destaco.com](mailto:clamps@destaco.com)

### Markets



Industrial



Aerospace



Food & Packaging



Transportation



Consumer Goods

### Applications



Assembly



Welding



Fixture and Testing



CNC/Machining



White Goods/  
Appliance



Woodworking

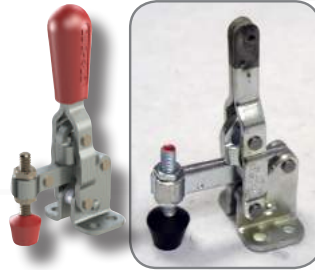
## Custom Solutions for Manual Clamps

DESTACO offers three levels of modifications for customizing our manual clamping products to fit our customers specified applications. Depending on the severity of the modifications, quoting times may take longer

### Level 1 Modifications:

- Alternate standard accessories
- Removal of grips
- Alternate plating/coating
- Alternate vinyl dipping
- Quotes within 1 day\*

Model 202  
Standard Product



202-200 without grip,  
with imperial threaded  
spindle

Model 630-M  
Standard Product

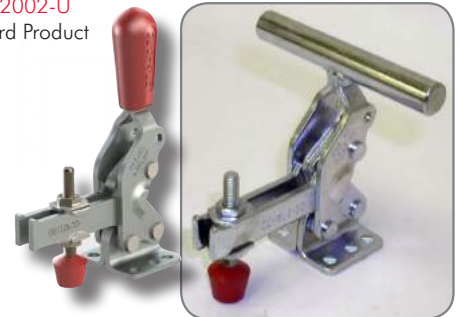


630-38 with electroless nickel plating

### Level 2 Modifications:

- Handle and arm extensions
- Custom hooks for pull-action clamps
- Cut-off handles and arms
- Drilled & tapped arms
- Quotes within 3 days\*

Model 2002-U  
Standard Product



2002-201 with special T handle

### Level 3 Modifications:

- Engineered modifications
- Special plungers for straight line action clamps
- Quotes within 5 days\*

Model 802-U  
Standard Product



802-U219 with handle for manual operation

Model 624/624-MM  
Standard Product

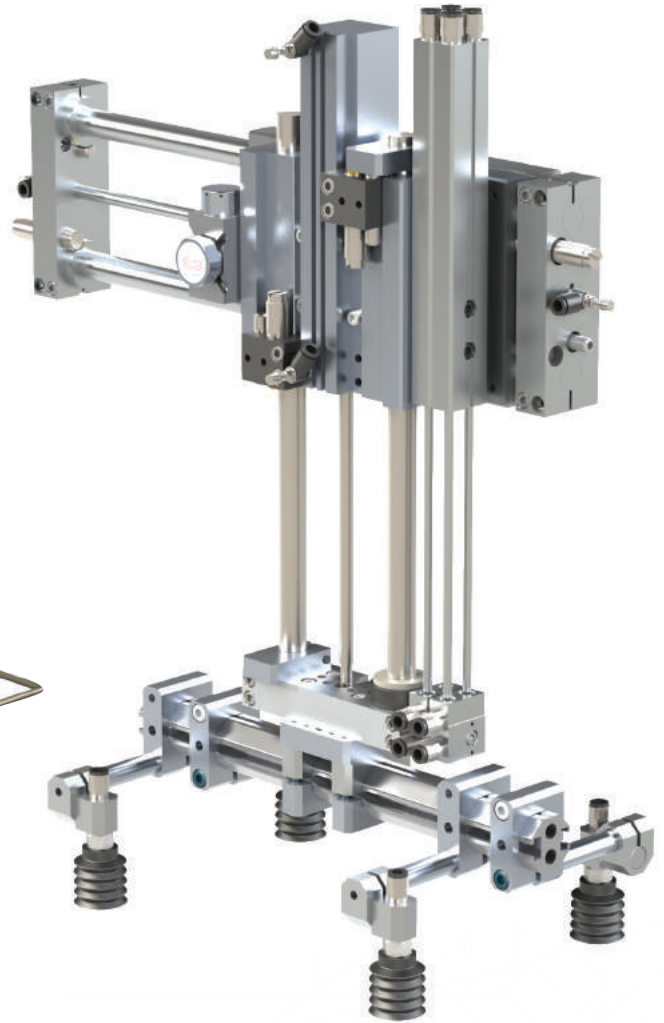
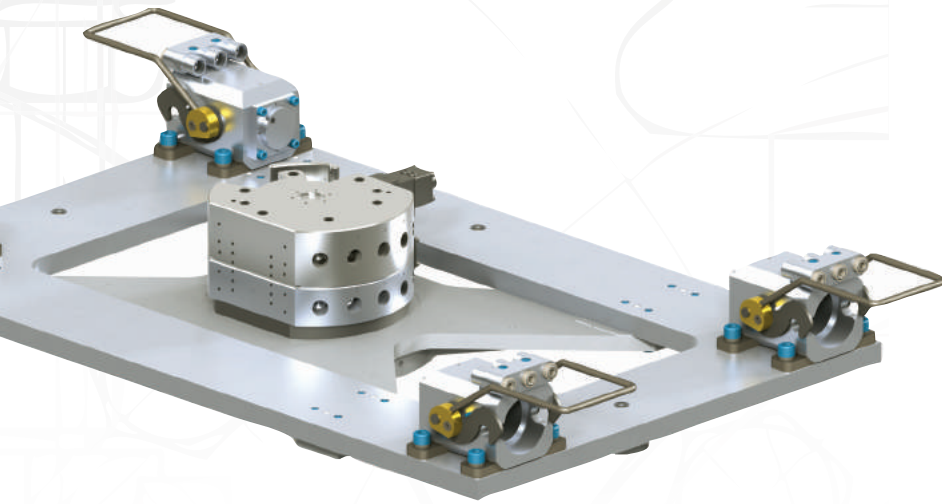


624-MM-872 with modified handle and  
square plunger

(\* ) All inquiries subject to minimum order

### Custom Solutions for End Effector Tooling Systems

DESTACO has several families of end effector components that are designed to be used together to create an unlimited number of material handling solutions to fit any application and market. Below are examples of solutions designed to customer specified design criteria. If there is no part that fits your needs, we will partner with you to design a part that fits.



Contact us today to get started on your custom application: [solutions@destaco.com](mailto:solutions@destaco.com)

#### Markets



Transportation



Aerospace



Industrial



Food & Packaging



Consumer Goods

#### Applications



Press Room/Stamping



Assembly



Welding



Hot Forming



Plastic Injection Molding



CNC/Machining

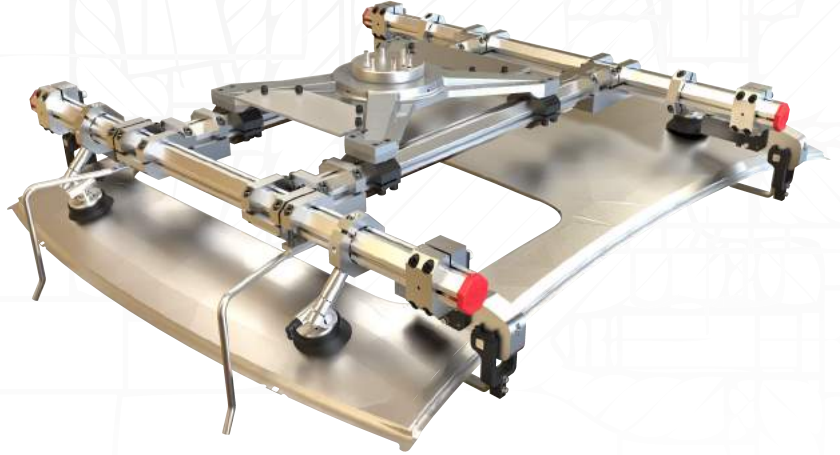
## Custom Solutions for End Effector Tooling Systems

DESTACO offers three levels of modifications for customizing our end effector systems to fit our customers' specified applications. Depending on the severity of the modifications, quoting times may take longer

### Level 1 Modifications:

Standard product design with minimal modifications to existing catalog product.

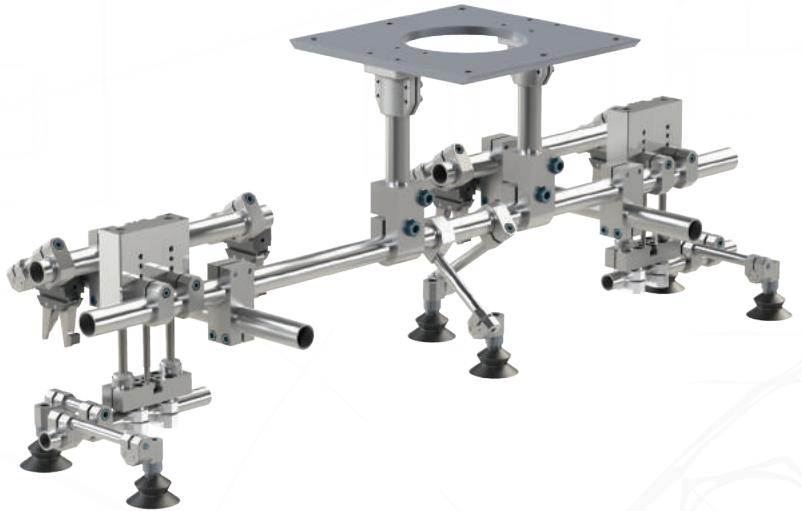
- Custom mounting
- Non-standard controls
- Special coatings.
- Complete design and build.
- Quotes within 2 days\*



### Level 2 Modifications:

Application of standard components with the addition of custom designed or modifications to standard parts.

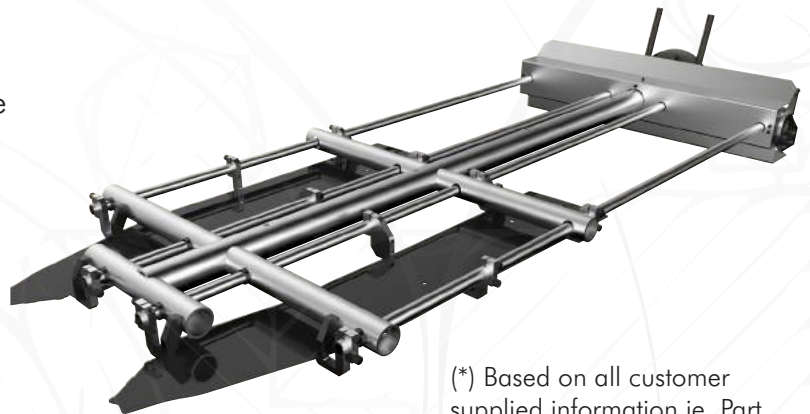
- Detailed concept or model required.
- Oversized or custom mounting
- Non-standard tooling or brackets.
- Complete design and build.
- Quotes within 3 days\*



### Level 3 Modifications:

Custom applications that may consist of a combination of standard products or a complete custom design.

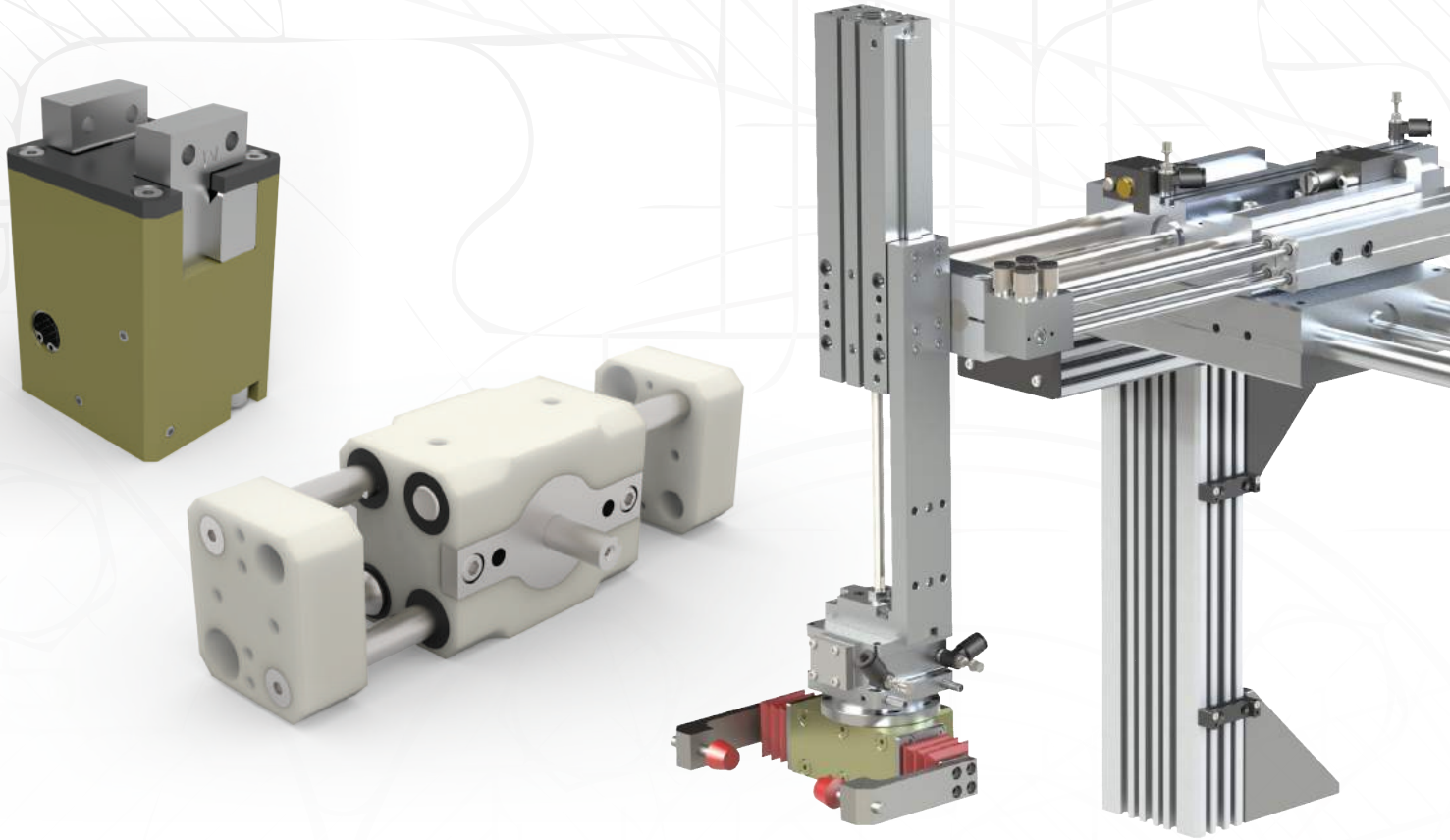
- Turn-key application
- Complete design and build
- Quotes within 5 days\*



(\* ) Based on all customer supplied information ie. Part models, system layout (if required) robot or automation.

**Custom Solutions for Grippers, Rotaries and Linear Slides.**

Below are some examples of standard products modified or assembled to customer specified custom solutions. DESTACO's Robohand products are designed to be used together in any number of combinations to offer a unique automation solution to fit your needs.



Contact us today to get started on your custom application: [solutions@destaco.com](mailto:solutions@destaco.com)

Markets



Industrial



Transportation



Food & Packaging



Consumer Goods



Logistics



Life Sciences

Applications



Assembly



Welding



CNC/Machining



Plastic Injection Molding



Fixture and Testing



White Goods/ Appliance

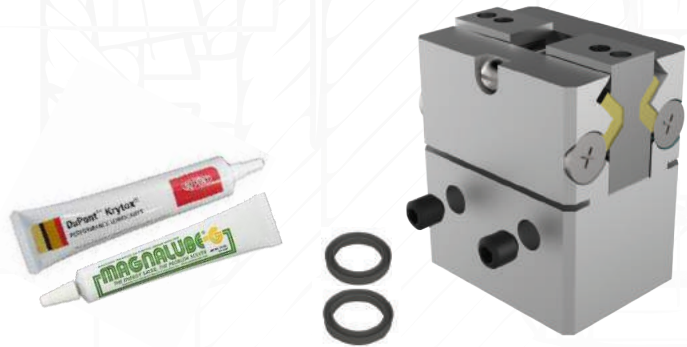


### Custom Solutions for Grippers, Rotaries and Linear Slides.

DESTACO offers three levels of modifications for customizing our gripper, rotate and slide products to fit our customers' specified applications. Depending on the severity of the modifications, quoting times may take longer.

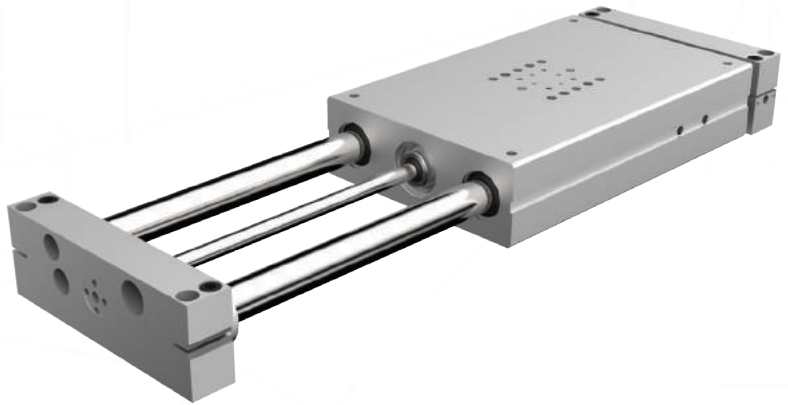
#### Level 1 Modifications:

- Labeling and bundled kits.
- Grease and seals.
- Features added or removed.
- Port and manifold plugged or opened.
- Quotes within 1 day\*



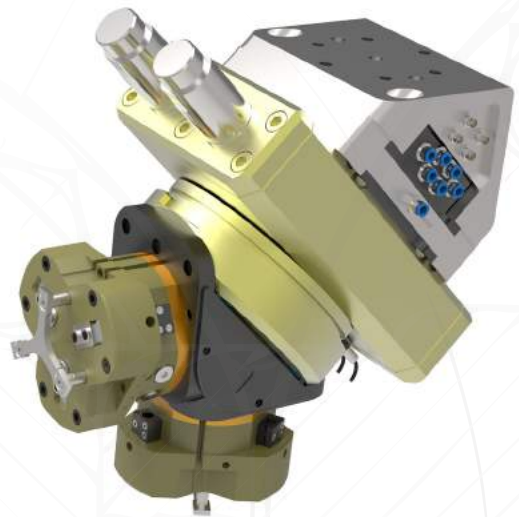
#### Level 2 Modifications:

- Mounting patterns and port changes.
- Finish and plating
- Precision surface grind.
- Stroke adjustments.
- Special seals.
- Quotes within 3 days\*



#### Level 3 Modifications:

- Functional operation and force adjustments.
- Material changes and weight reduction.
- 100% Custom design to your specifications.
- Manufactured to your design.
- Quotes within 5 days\*



(\* All inquiries subject to minimum order

### Custom Solutions for Indexing Products

Below are examples of a standard indexer and conveyor product modified to a customer's specified design criteria. All products in the standard catalog can be modified to fit your needs.



Contact us today to get started on your custom application: [camco@destaco.com](mailto:camco@destaco.com)

#### Markets



Industrial



Consumer Goods



Food & Packaging



Transportation



Aerospace



Life Sciences

#### Applications



Assembly



Plastic Injection  
Molding



Welding



White Goods/  
Appliance



Clean Room



Fixture and Testing

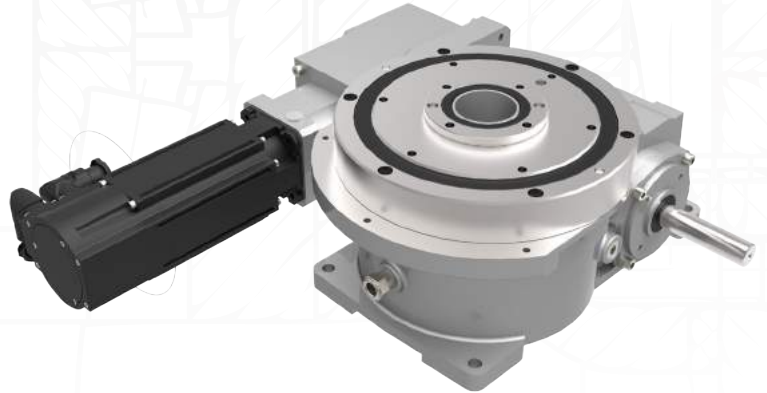
## Custom Solutions for Indexing Products

DESTACO offers three levels of modifications for customizing our rotary indexing and conveyor products to fit our customers' specified applications. Depending on the complexity of the modifications, quoting times may vary.

### Level 1 Modifications:

Basic product design with minimal modifications to an existing catalog product.

- Added Holes
- Extra shaft length
- Non-standard reducer mounting plate
- Non-standard coupling
- FDA or food-grade oil or grease
- Quotes within 2 days\*



### Level 2 Modifications:

Basic product design as extended with additional components or significant added machining.

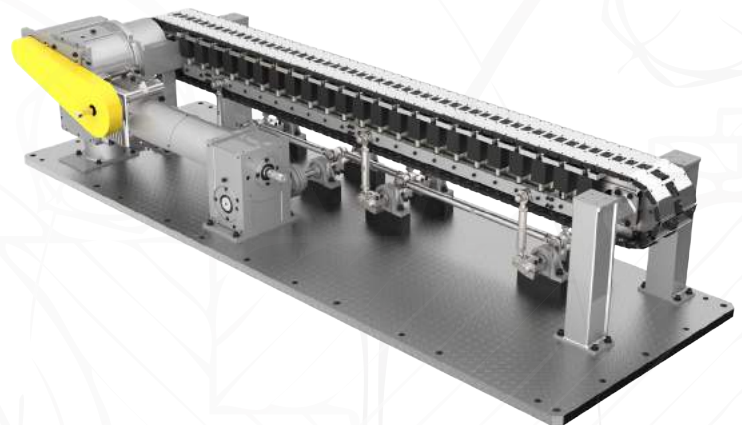
- Machine base added
- Tooling plate added
- Dial plate added
- Revisions to housing or output shaft/wheel
- Quotes within 3 days\*



### Level 3 Modifications:

Appreciably different from the basic product design by providing a unique design, unique construction, or multiple products assembled together

- Major materials change, such as stainless steel
- Special weldment for the housing
- Custom base or frame on which our product is mounted
- Multiple products connected together on a common base or frame
- Quotes within 5 days\*



(\* All inquiries subject to minimum order



Precision in Productivity™



## GLOBAL LOCATIONS

### NORTH AMERICA

#### DESTACO Headquarters

Auburn Hills, Michigan  
Toll Free: 1.888.DESTACO  
Marketing: [marketing@destaco.com](mailto:marketing@destaco.com)  
Customer Service: [customerservice@destaco.com](mailto:customerservice@destaco.com)

Mt. Juliet, Tennessee  
Tel: 1.888.DESTACO  
Customer Service: [customerservice@destaco.com](mailto:customerservice@destaco.com)

Wheeling, Illinois  
Tel: 1.800.645.5207  
Customer Service: [camco@destaco.com](mailto:camco@destaco.com)

Red Wing, Minnesota (Central Research Laboratories)  
Tel: 651.385.2142  
Customer Service: [sales@centres.com](mailto:sales@centres.com)

### SOUTH AMERICA

Brazil  
Tel: 0800-124070  
Customer Service: [samerica@destaco.com](mailto:samerica@destaco.com)

### ASIA

Thailand  
Tel: +66-2-326-0812  
Customer Service: [info@destaco.com](mailto:info@destaco.com)

China  
Tel: +86-21-6081-2888  
Customer Service: [china@destaco.com](mailto:china@destaco.com)

India  
Tel: +91-80-41123421-426  
Customer Service: [india@destaco.com](mailto:india@destaco.com)

### EUROPE

Germany  
Tel: +49-6171-705-0  
Customer Service: [europa@destaco.com](mailto:europa@destaco.com)

France  
Tel: +33-1-3996-5000  
Customer Service: [france@destaco.com](mailto:france@destaco.com)

UK  
Tel: +44-1902-797980  
Customer Service: [uk@destaco.com](mailto:uk@destaco.com)

Spain  
Tel: +34-936361680  
Customer Service: [spain@destaco.com](mailto:spain@destaco.com)

Netherlands  
Tel: +31-297285332  
Customer Service: [benelux@destaco.com](mailto:benelux@destaco.com)