

DESTACO PORTFOLIO OF PRODUCTS

A Comprehensive Offering of High-Performance Products



Precision in Productivity™

End Effectors	Grippers	Indexers
Manual Clamps	Power Clamps	Remote Handling

destaco.com

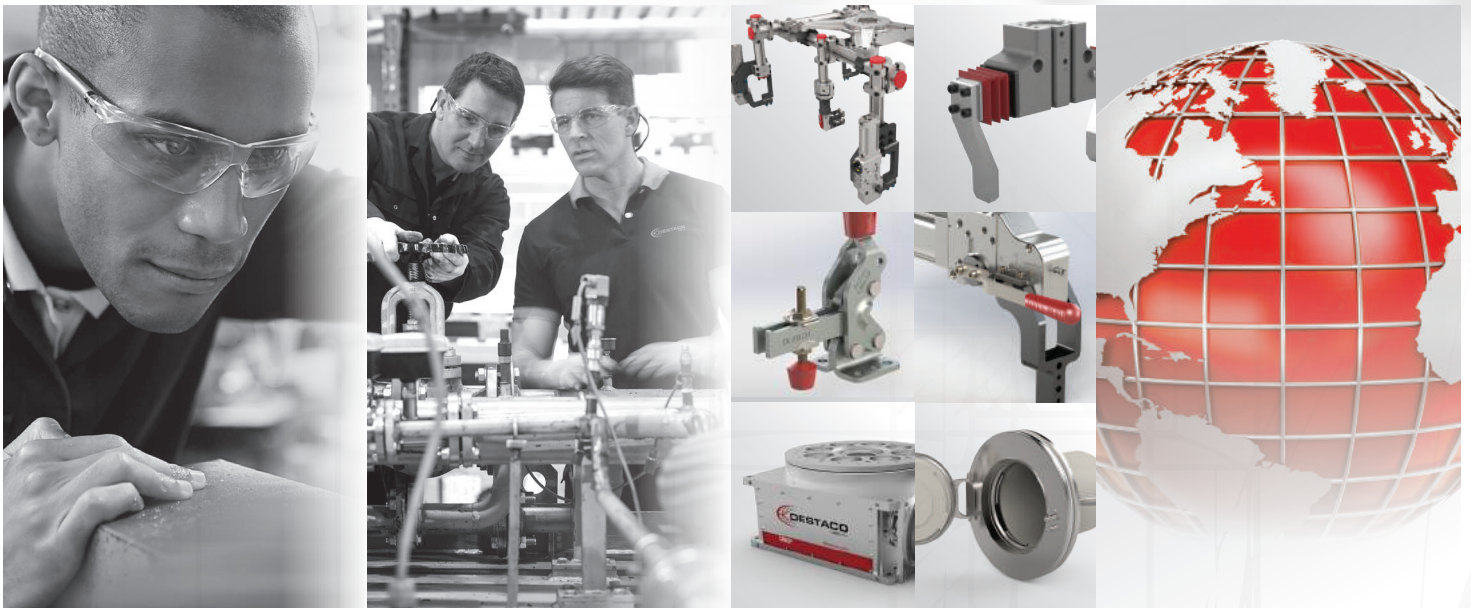


Precision in Productivity™

DESTACO Mission Statement

Enable optimal manufacturing productivity through a comprehensive suite of easy to integrate high-performance, precision automation, workholding and containment solutions.

- **Focused** - Dedicated talent and resources to help manufacturers improve precision and productivity
- **Insightful** - Full line of products improves production flexibility and meets any manufacturing requirement
- **Comprehensive** - Through perspective gained on plant floors around the world, we deliver unique, creative solutions nobody else can
- **Global** - Production, customer and technical support worldwide, wherever you need us



FOCUSED



INSIGHTFUL



COMPREHENSIVE



GLOBAL

Focusing all of our Resources

New Product Development

DESTACO has dedicated resources to design and build the next generation of products and solutions

Customer and Technical Service

DESTACO has industry leading global support to address any product and application concerns you may have

Design Tools

DESTACO provides an extensive CAD library, sizing software, and online tools to support our global customers



Our Insight Working for You

Application Engineering

We utilize our expertise and complete portfolio of products to create solutions that fit our customers' needs and applications

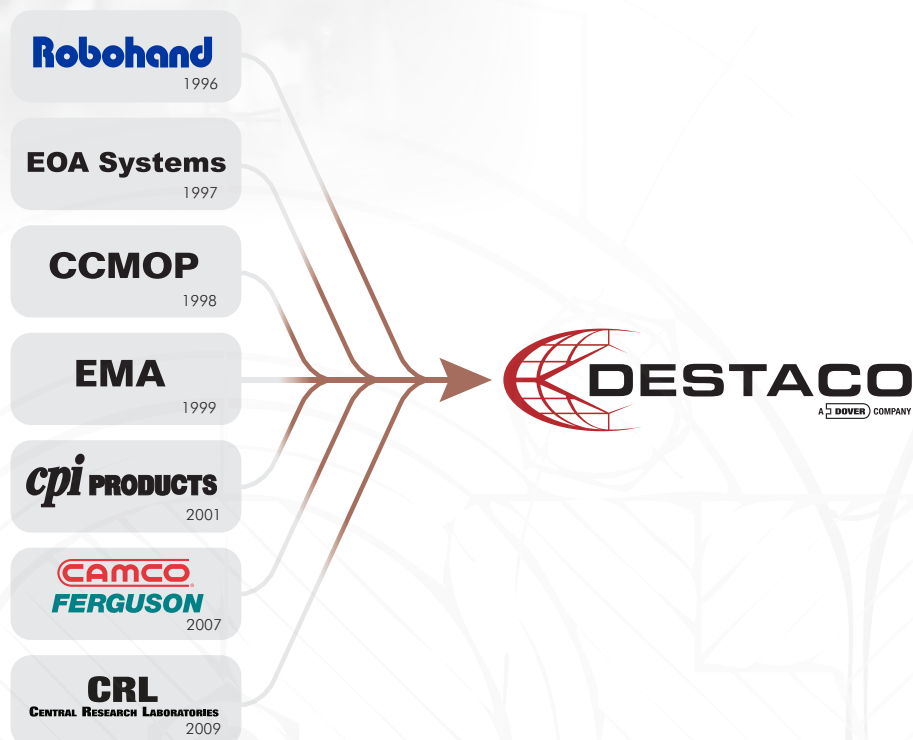
Custom Solutions

If our off-the-shelf solutions don't fit, we will partner with our customers to develop products that will



Building a Strong Brand

DESTACO has grown since 1915 through product development and acquired strong product brands to offer a comprehensive portfolio of products for automation, workholding, and containment solutions.



DESTACO PORTFOLIO OF PRODUCTS

End Effector Solutions

Speed Matters

DESTACO end effectors are designed to help you move parts faster in today's production line by using high strength, lightweight aluminum modular components, durable vacuum cups and the fastest venturis on the market.

Markets



Applications



Grippers, Rotaries, and Linear Slide Solutions

Engineered Reliability

DESTACO's Robohand products are engineered for reliability and long life to ensure maximum production uptime. These products are designed and machined for precise repeatability with minimal maintenance.

Markets



Applications



Rotary Indexers and Conveyor Solutions

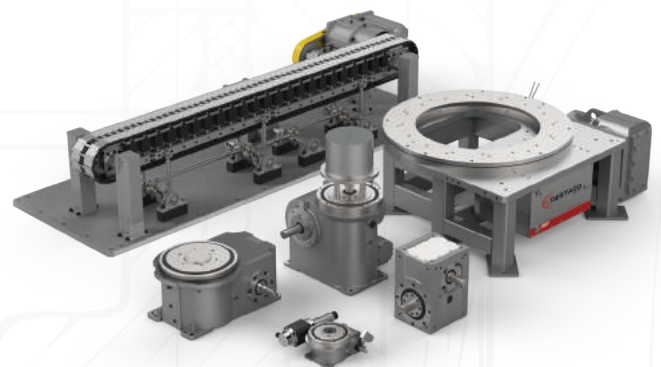
Smarter Precision Indexing

DESTACO's CAMCO products have been the industry standard for the highest quality cam-actuated motion control products available. DESTACO manufactures a wide range of motion control products including indexing drives, linear and rotary parts handlers, precision link conveyors, magnetically-propelled conveyors, servo-mechanical drives, and custom cams.

Markets



Applications



Manual and Pneumatic Clamping Solutions

Designed to Hold Securely

DESTACO manual and pneumatic light-duty clamps are built to last for years of service, and designed to keep your workpieces in place. Manual and light-duty clamps are offered in a wide variety of styles to hold a part securely in place during an application.

Markets



Applications



Power Clamping and Pivot Solutions

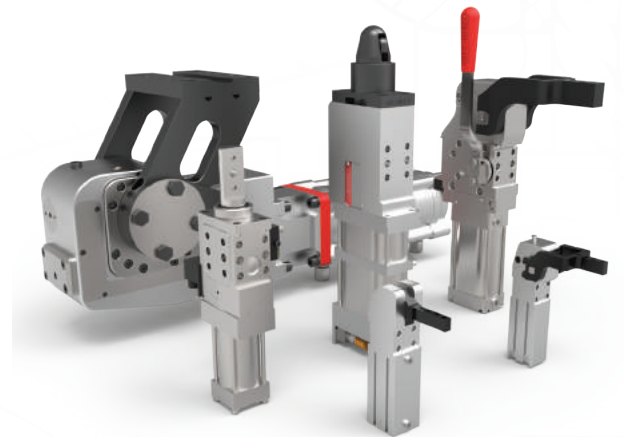
Clamp with Confidence

DESTACO power clamping products range from heavy-duty sealed clamps for welding environments, to compact light-duty clamps for a variety of clamping applications. Pin clamps and pivot units are used in locating and positioning applications. All of these products offer exceptional clamping forces, holding capacities, and durability.

Markets



Applications



Remote Handling and Containment Solutions

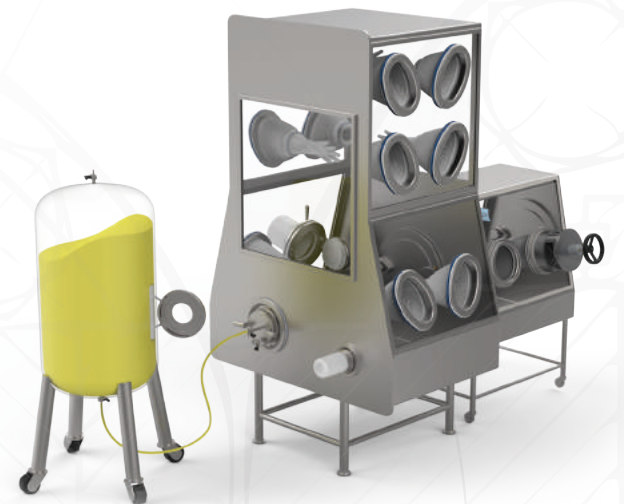
Clean. Safe. Flexible.

DESTACO's Central Research Laboratories (CRL) rapid transfer ports, gloveport systems and telemanipulators allow human operators to safely perform dexterous maneuvers in hazardous or sterile environments. DESTACO's CRL products are designed for safe and efficient handling of materials where the human operator cannot have direct contact.

Markets



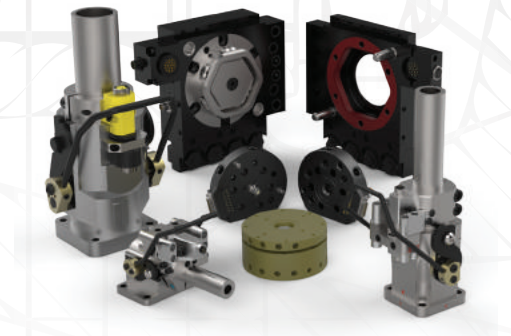
Applications



Tool Changers

Automatic and Manual

- Lightweight to heavy payload solutions
- Multiple styles of tool changers to choose from
- Variety of air, electric and vacuum utilities supported
- Advanced locking mechanism to minimize deflection after coupling



Accelerate® Collection and Round Tooling

Lightweight and Traditional Round Tooling Components

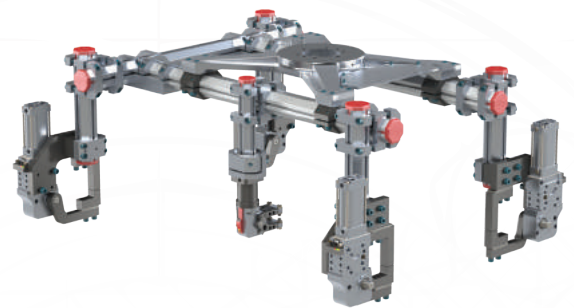
- Lightweight crossbar, saddle, and tri-axis solutions
- Lightweight aluminum modular components
- World tool aluminum standard and tapered booms
- Metric and imperial tubes and components



BodyBuilder™ Tooling System

Octagonal Booms and Components

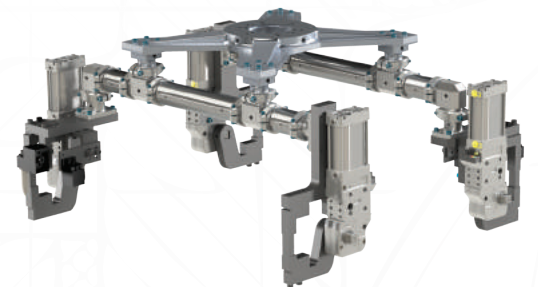
- Multiple sizes of octagonal structures offers strength and stability
- Off the shelf, ready to assemble mounts and accessories
- Patented alignment system allows quick setup after replacement
- Accessories can be mounted and repositioned quickly and easily



SpiderGrip Tooling System

Precision Geometric Booms and Components

- Booms and components in standard metric sizes
- High strength-to-weight ratio aluminum
- Patented engineered break-away anchors and collars
- Automatic optical and CMM validation points



Vacuum Products

Vacuum Cups and Vacuum Generators

- Standard and high temperature vacuum cups
- ARV® auto release venturi and vacuum generators
- Spring loaded cup mounts and double blank detectors
- EcoCup™ - The world's first electric vacuum cup



Parallel Grippers

Pneumatic and Electric

- Cost effective OEM machine builder gripping solutions
- Discrete open/close control electric gripping solutions
- Pneumatic 2-jaw and 3-jaw gripping solutions
- Clean room, precision, harsh environment and gantry system solutions



Angular Grippers

Toggle-Lock and Cam-Driven

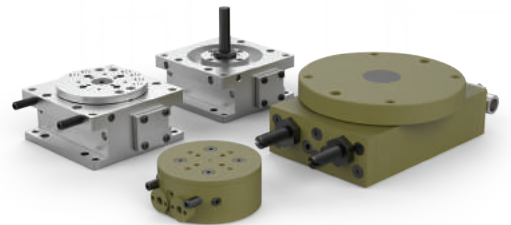
- Cost effective cam-driven compact gripping solutions
- 180 degree opening angles for in-line conveying systems
- Harsh environments support with spring assist shielded designs
- High temperature applications using Viton® seals



Rotaries

Flange and Shaft Output

- Space saving low-profile designs ideal for OEM machines
- Precise positioning with zero backlash rotation
- Pass-thru air utility with rotary manifold option
- Supports small to very large payloads



Linear Slides

Base, Ball-Rail, and Thrusters

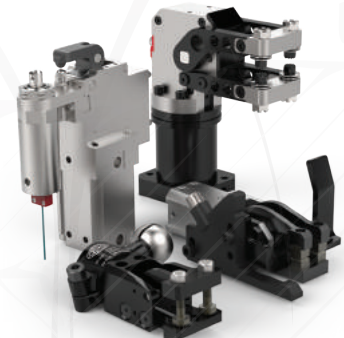
- Multiple styles to extend, retract, push or pull applications
- Modular system supports multiple linear movements and positioning
- Air transfer to tooling simplified with telescopic airlines
- Linear solutions for machining, automation and harsh environment pick-and-place applications



Sheet Metal Grippers

Toggle-Lock and Cam-Actuated Grippers

- Press shop and sheet metal transfer application solutions
- Increase productivity with lightweight, high speed Accelerate® grippers
- Wide variety of mounting, jaw and tip configurations offered
- Long term reliability with minimal maintenance



Servo-Mechanical Dial Drives

Medium and Heavy Duty

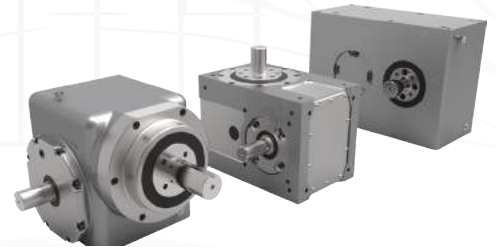
- Zero backlash for precision indexing
- Maintenance-free mechanical and servo-based indexers
- Rotary index drives offers robust superior load capabilities
- Offered with several motor manufactures and optional output overload clutches



Mechanical Index Drives

Right Angle and Parallel Shaft/Flange

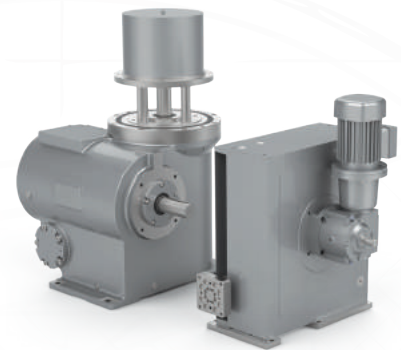
- Fixed center distance between input and output shafts
- Smooth acceleration and deceleration with precise positioning
- Some index drive models offer universal mounting on any side
- Many different motion profiles available as standard, custom motions available upon request



Part Handlers

Rotary and Linear

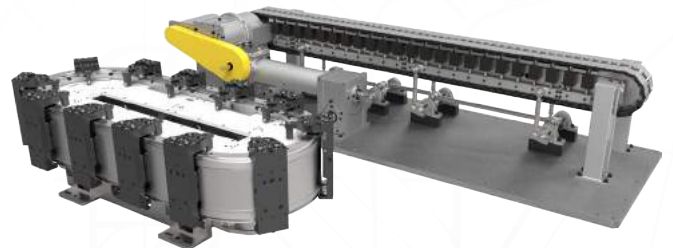
- Designed for high-precision, high capacity applications
- Rugged, precision cam mechanism for maintenance-free operation
- Standard or custom strokes and timing can be designed per request
- LPP series offers easy integration with other DESTACO products for complete automation solutions



Conveyors

Modular Table-Top, Heavy-Duty and Magnet-Propelled

- Precision positioning for assembly and manufacturing
- Combines excellent accuracy and high load capacities
- Can be configured in a carousel or over-under style
- Standard modules for flexible lengths, heights or shapes



Custom Cams

Design and Manufacturing Services

- Backed by 100 years of experience
- Comprehensive range of configurations, tolerances and materials
- Precise, economical and engineered for your exacting specifications
- Alternative to "in-house" design, engineering and manufacturing



Manual Hold Down Clamps

Vertical and Horizontal Handle

- Heavy-duty and stainless steel models available
- Pneumatic versions available for select models
- Base, flange and weld mounting.
- DESTACO® Toggle Lock Plus available on select models



Push and Pull Action Clamps

Plunger and Latch(hook)

- Threaded body for through-hole or tapped-hole mounting (Plunger)
- Heavy duty and square plunger models available (Plunger)
- J-hooks and U-hooks are threaded for easy adjustment (Latch)
- Safe, single-handed operation (Latch)



Squeeze Action Clamps

Plier and Carver

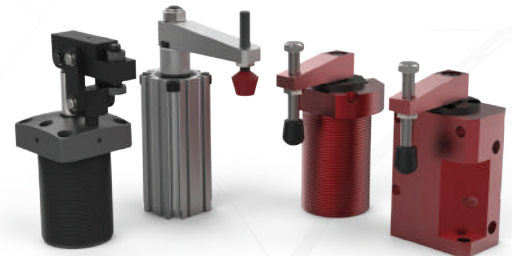
- Forged alloy steel construction for high strength
- Two-way trigger release for fast and easy opening
- Different jaw styles for use with parts of great thickness and depths
- DESTACO also sells Carver Clamps in several sizes within four styles



Light Duty Clamping

Pneumatic Swing and Lever Clamps

- Several body styles, arms, and mounting accessories available
- Threaded body style available for through-hole mounting
- 8700 Series features a clamp arm swinging up and out of the way
- 9500 Series clamp arm has no vertical travel during 90° swing



Power Solutions

Pneumatic Power Cylinders and Hydraulic Solutions.

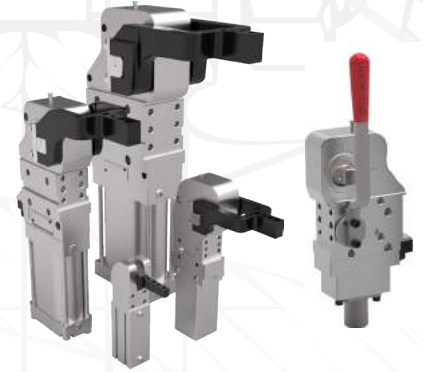
- Power cylinders produce a 10:1 Mechanical Advantage
- Power cylinder are available in round and rectangular designs
- Hydraulic products include threaded body cylinders, swing/pull clamps, through-hole rams and power boosters.



Enclosed Power Clamps

Pneumatic and Manual

- 82M3E series offers complete family of power clamps
- Clamps sizes range from 12mm diameter cylinder bore to 80mm
- Several clamp arm types and arm opening angles are available
- Double clamp arm and round bore models available



Pneumatic Pin Clamps

Hook Pin and Tolerance Compensating

- Sealed and protected against contaminants
- Self-locking mechanism in clamping position
- Consistent clamping force throughout clamping range
- Different hook sizes and centering pins available



Pin Packages

Manual and Pneumatic Single Pin, Double Pin

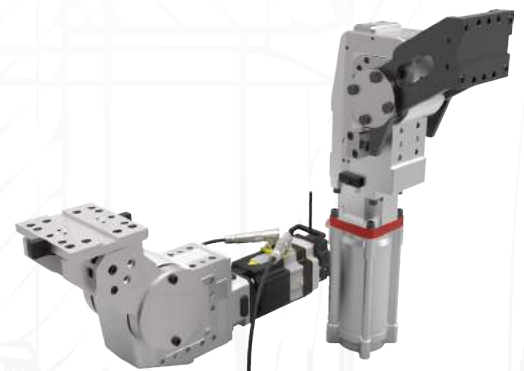
- Compact, low-weight design
- High accuracy of positioning
- Lateral and front-facing mounting surfaces
- Optional piston rod cover, anti-rotate device and external guide



Pivot Units

Pneumatic and Electric

- Versatile mounting allows vertical and horizontal positions
- Multiple saddle arm opening angles and orientations available
- Electric version allows variable swivel angle over 205° degrees
- Electric version features constant torque with controlled acceleration/deceleration



Gloveport Systems

Fixed and Push Through

- Fixed & push through glove ports
- Oval & round glove sleeve systems
- Custom glove port solutions
- Compatible with most commercially available gloves



Rapid Transfer Ports

Clean and Sterilization Rapid Transfer Ports, and Beta Accessories

- Rapid repeatable transfers without breaking containment
- Mechanical interlocks to prevent improper port operation
- 316 stainless steel alpha flange with stainless or polypropylene port door
- Custom and standard beta solutions, including containers, flanges and couplers



Telemanipulators

One and Three-Piece Manipulators

- Sealed and unsealed options available for one and three-piece models
- Several grip handles, tong jaws and motion/tamper locks available
- Optional radiation shielding and booting available on all models
- Can be customized to your specified needs



Waste and Bulk Packaging Solutions

Waste Drum Transfer System

- Built-in safety interlocks eliminates accidental breach of containment
- Actuated docking for fast, safe drum connect/disconnect operation.
- Polyethylene beta drum liner capable of multiple filling cycles
- Bagless RTP transfer system eliminates breach of containment while improving ergonomic safety for the operator





Precision in Productivity™



GLOBAL LOCATIONS

NORTH AMERICA

DESTACO Headquarters

Auburn Hills, Michigan
Toll Free: 1.888.DESTACO
Marketing: marketing@destaco.com
Customer Service: customerservice@destaco.com

Mt. Juliet, Tennessee
Tel: 1.888.DESTACO
Customer Service: customerservice@destaco.com

Wheeling, Illinois
Tel: 1.800.645.5207
Customer Service: camco@destaco.com

Red Wing, Minnesota (Central Research Laboratories)
Tel: 651.385.2142
Customer Service: sales@centres.com

SOUTH AMERICA

Brazil
Tel: 0800-124070
Customer Service: samerica@destaco.com

ASIA

Thailand
Tel: +66-2-326-0812
Customer Service: info@destaco.com

China
Tel: +86-21-6081-2888
Customer Service: china@destaco.com

India
Tel: +91-80-41123421-426
Customer Service: india@destaco.com

EUROPE

Germany
Tel: +49-6171-705-0
Customer Service: europa@destaco.com

France
Tel: +33-4-7354-5001
Customer Service: france@destaco.com

UK
Tel: +44-1902-797980
Customer Service: uk@destaco.com

Spain
Tel: +34-936361680
Customer Service: spain@destaco.com

Netherlands
Tel: +31-297285332
Customer Service: benelux@destaco.com