



ENGINEERED SYSTEMS



Coolerest Thing  
AW made in MICHIGAN RD

**Did you know?**

Exotic's world's largest power unit was nominated the **2021 Michigan Manufacturers Association's "Coolest Thing Made in Michigan"**. The power unit is capable of 4,800 horsepower with a maximum flow of 2,700 gallons per minute and a capacity of 11,000 gallons. It is the only system in the world of its size.

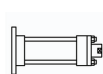
# ENGINEERED SYSTEMS FROM EXOTIC AUTOMATION & SUPPLY

Since 1972, Exotic Automation & Supply has been at the forefront of providing best-in-class motion and control components for manufacturers throughout North America.

Exotic is a premier distributor of automation systems and fluid power products from Parker Hannifin Corporation. This allows our customers to benefit from our unique ability to design and build hydraulic and pneumatic systems.

## Engineered Hydraulic Systems

- Large, Central Hydraulic Systems
- Custom Power Units
- Manifolds
- Filter Carts
- Proportional / Servo Control



## Engineered Pneumatic Systems

- Manifolds
- Air Panels
- Fluid Control Panels
- Filtration, Regulation, and Lubrication (FRLs)
- Custom Valve Packages



## In-House Engineering & Production

- Hose Assembly
- Automation Build Center
- System Design & Engineering
- In-House Painting Capability
- Full-Service Machining Center



# DESIGN. BUILD. TEST. DELIVER.

From engineered systems for complex manufacturing centers to portable, compact units for hydraulic and pneumatic applications, Exotic Automation & Supply is a recognized leader in providing custom fluid power solutions.

Exotic's ability to support customers with turn-key service from initial concept drawings to complete documentation (2D & 3D CAD) at delivery means Exotic is uniquely positioned to solve all of your hydraulic and pneumatic challenges.

## Value-Added Services from Exotic

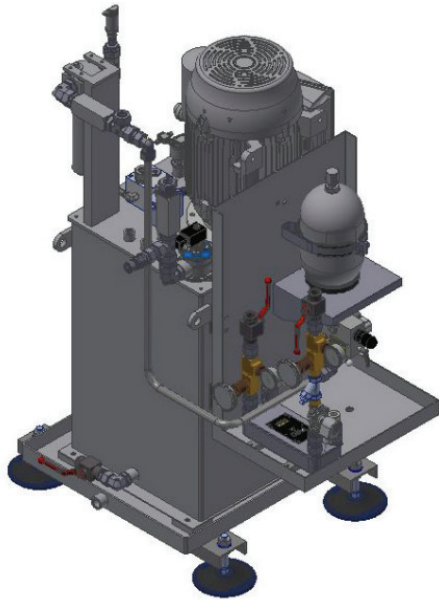
- Technical Product Application Support
- System Design & Engineering
- Full Service Build Capabilities
- Assembly, Test and Documentation
- Kitting
- C.A.R.E. Program:  
    Cost Acquisition Reduction by Exotic

## A Premier Parker Distributor

- Hydraulic Technology Center (HTC)
- Pneumatic Technology Center (PTC)
- Automation Technology Center (ATC)
- Connector Technology Center (CTC)
- Parker Authorized Power Unit Assembler

# ENGINEERED HYDRAULIC SYSTEMS

Exotic Automation & Supply provides products and services required for all hydraulic needs. From comprehensive design and build solutions to hydraulic hose assemblies, you can trust Exotic's engineered hydraulic systems to keep your equipment functioning at their highest levels!



## HYDRAULIC POWER UNITS

From installation on the plant floor to implementation within mobile equipment and military vehicles, hydraulic power units from Exotic are designed and built to our customer's exact specifications.

### Configurations:

- Conventional
- L - Shaped
- Vertical
- Stack Frame



### Custom Features:

- 3D CAD Design
- Heating
- Cooling
  - Fan Forced Air
  - Plate Styles
- Filtration
  - Pressure
  - Return
  - Off-line (kidney loop)
- Flow Monitoring

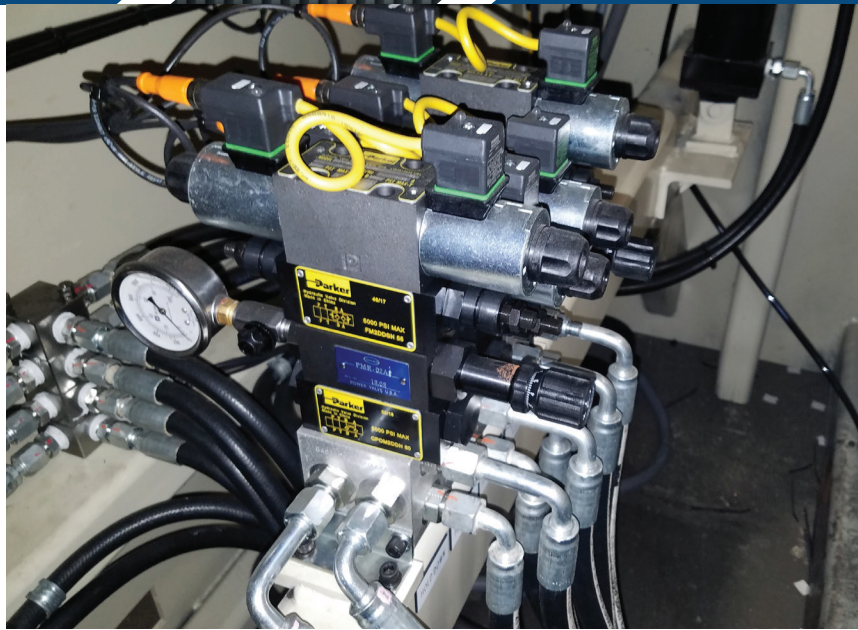


## HYDRAULIC MANIFOLDS

Exotic's ability to provide the engineering and assembly of directional & proportional control hydraulic manifolds in-house keeps customer's cost down while improving overall system performance.

### Integrated Manifold Packages Feature:

- Modular Designs
- Standard ISO Valves
- Cartridge Valves
- Hybrid Valves
- Reduced Space & Weight



## PROPORTIONAL CONTROL / SERVO CONTROL

Exotic specializes in integrating servo valves, proportional valves, electronic controls, sensors and actuators to achieve an overall reduction in part-finish variance.

### Proportional / Servo Control Offerings:

- Reproducible Control of Actuator Speed
- Progressive Flow Characteristics for Improved Low-Flow Resolutions
- Available Integrated Control Electronics with Ramp Adjustment
- Complete Solutions Including Manifolds, Valve Drivers, Power Supplies, Cable Assemblies
- Software Enabled Valve Parameter Setup and Maintenance



## FILTER CARTS:

Exotic's filter carts provide a convenient portable mode of off-line filtration, flushing and fluid transfer.

### Filter Cart Benefits:

- Narrow Design for Tight Aisles & Passageways
- Two Stage (two-pass) Outlet Filtration Plumbed in Series for Finer Filtering
- Rear Mounted Motor for Better Balance (Fluid Will Not Drip on Motor)
- 2-Inch Drip Tray to Help Prevent Spills and Increase Facility Cleanliness
- Visual Indicators, 3-Band, Both Filters
- Pump Bypass set at 65psi to Prevent Motor Stalling
- Vane Pump, Stainless Steel Wand and Solid Rubber Wheels for Durability



# ENGINEERED PNEUMATIC SYSTEMS

Exotic Automation & Supply offers a full complement of pneumatic systems and components to optimize total system performance. Exotic's Engineers work with you to design and build engineered pneumatic systems focused on enhancing precise function & operations.

## FLUID CONTROL PANELS

Exotic designs & builds custom fluid control panels with a focus on optimizing total system performance through the precise control of pneumatic, hydraulic, lubrication and coolant functions.



### Fluid Control Panels Provide:

- Compact Design
- Ease of Maintenance
- Efficient, Clean Performance
- Reduced Machine Footprint
- Total Fluid Power Control



## PNEUMATIC MANIFOLDS

Exotic pneumatic manifold solutions are designed and configured to be integrated within existing and new manufacturing systems alike, providing unique solutions for pressure, vacuum & leak test applications.

### Pneumatic Manifold Packages Feature:

- ISO Standards
- Field Bus Manifolds
- Modular Designs/Light Weight
- Multiple Wiring Configurations
- I/O - Link Connectivity
- Increased Valve Density



## AIR PANELS

From drip legs to air prep to field bus manifold assemblies, let Exotic's experienced system engineers meet with your machine and control design personnel to help "right-size" your pneumatic application with plug-n-play operation.



### Air Panels Features

- Custom Manifold Assemblies
- Compact Design for Minimized Machine Footprint
- World Class Air Prep
- All Major Field Bus Interfaces Offered

## AIR PREPARATION

Exotic's custom Filtration-Regulation-Lubrication (FRL) solutions ensure clean, dry air throughout the system, a critical requirement to maintaining fast cycle times, high product quality and reduced downtime.

### Custom Features:

- Optimized Air Quality & Performance
- Modular, Light Weight Configurations

### Integration with:

- Soft-Start Valves
- Quick Dump Valves
- Lock-Out Valves
- Pressure Switches





# SKF / LINCOLN LUBRICATION



SKF & Lincoln are international leaders providing the most comprehensive portfolio of lubrication systems, equipment, tools and related products in the market today with unparalleled levels of customer support available around the world.

## CUSTOM SOLUTIONS

SKF Engineered lubrication systems by Exotic Automation include a wide range of custom turnkey solutions for our customers which are designed for the specific and often demanding requirements of the application.

- Industry Standards and Automotive Specifications
- Site Surveys and In-field Technical Support
- Comprehensive and Custom Installations
- Engineered Schematics, Drawings and 3D Models

## STANDARD PRODUCTS

SKF & Lincoln standard products are offered wherever professionals demand high quality lubrication and pumping products.

- Automatic Lubrication Systems
- Divider Valves, Injectors & Metering Pistons
- Heavy and Medium Duty Oil & Grease Pumps
- Handheld Dispensing Units
- Assembled and Portable Fluid Handling Equipment
- Tubing and Tube Fittings





New Hudson -  
Corporate Headquarters  
53500 Grand River Avenue  
New Hudson, MI 48165  
(248) 477-2122  
(248) 477-0427 Fax  
sales@erp.com



**New Hudson**

Corporate Headquarters  
& Store  
53500 Grand River Avenue  
New Hudson, MI 48165  
(248) 477-2122

**Grand Rapids**

**Bond Fluidaire**  
Branch & Parker Store  
5506 36th Street SE  
Grand Rapids, MI 49512  
(616) 942-1060

**Ann Arbor**

Parker Store  
3934 Varsity Drive  
Ann Arbor, MI 48108  
(734) 794-2460

**Grand Rapids**  
**Bond Fluidaire**

Parker Store  
600 Scribner NW  
Grand Rapids, MI 49504  
(616) 776-0008

**Flint**

Parker Store  
4186 Pier North Blvd.  
Suite A  
Flint, MI 48504  
(810) 720-4370

**Jackson**

Parker Store  
2340 East High Street  
Jackson, MI 49203  
(517) 787-1540

**Freeland**

Parker Store  
10359 Hercules Drive  
Freeland, MI 48623  
(989) 695-5300

**Lansing**

Parker Store  
4103 Grand Oak Drive  
Suite B103  
Lansing, MI 48911  
(517) 322-0113

**Livonia**

Parker Store  
34025 Schoolcraft  
Livonia, MI 48150  
(734) 388-9966



**Port Huron**

Parker Store  
1182 Gratiot Blvd.  
Marysville, MI 48040  
(810) 357-0060

**Taylor**

Parker Store  
20575 Northline Road  
Taylor, MI 48180  
(734) 282-7775

**Rochester**

Parker Store  
1938 Star Batt Drive  
Rochester Hills, MI 48309  
(248) 299-2400

**Traverse City**  
**Bond Fluidaire**

Parker Store  
1422 Trade Centre Drive  
Traverse City, MI 49696  
(231) 933-1107

**Shelby Township**

Parker Store  
12798 23 Mile Road  
Shelby Twp, MI 48315  
(586) 685-3020

**Indianapolis**

Parker Store  
5230 Park Emerson Drive  
Suite J  
Indianapolis, IN 46203  
(317) 776-6680

**St. Joseph**

**Bond Fluidaire**  
Parker Store  
1656 Hilltop Road  
St. Joseph, MI 49085  
(269) 983-2501

**Noblesville**

Parker Store  
17450 Bataan Court  
Noblesville, IN 46062  
(317) 773-8119