



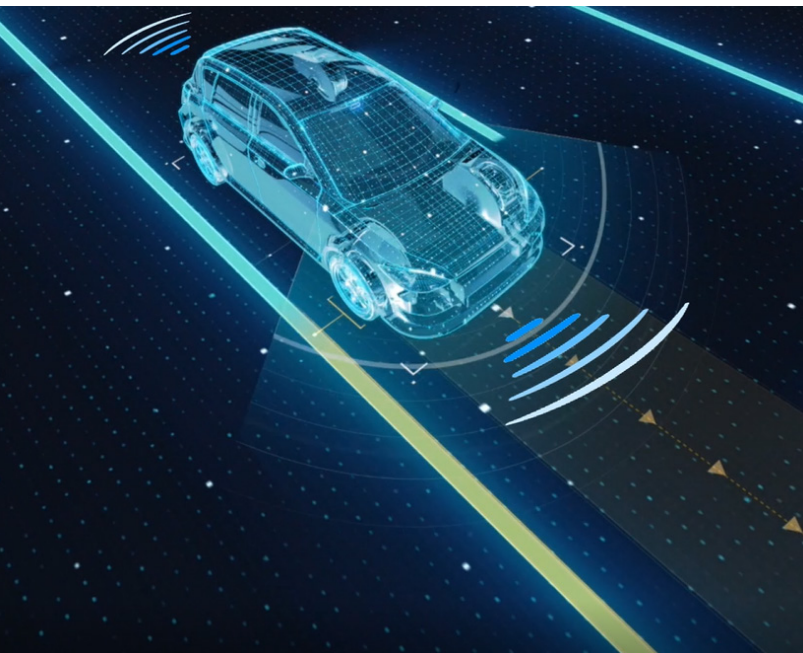
MODULAR FLUID CONTROL FOR  
VEHICLE CAMERA & SENSOR WASHING



# Advanced Fluid & Air Handling Solutions for Cleaning Vehicle Mounted Cameras & Sensors

Vehicle assist technology is only as good as the sensor's ability to see the road. Dirty cameras will not work. With the vehicles of tomorrow relying on a growing number of cameras and sensors, how do you regulate a system to properly wash just the dirty sensor without wasting cleaning solvent?

Exotic Automation & Supply's intelligent washer system efficiently provides the solvent wash or compressed air to just the sensor that needs it, increasing efficiency and saving cleaning solvent. Exotic will custom design a cleaning solution to meet your individual need, use your same pump, tank and nozzle and we will provide the intelligent zone control to meet your critical application.



---

Most of today's vehicles only have washer systems for the front and rear windows, what about the growing number of cameras and sensors in tomorrow's vehicles?

---

---

Exotic Automation & Supply's Washer System provides custom fluid handling solutions for up to 64 vehicle mounted sensors.

---



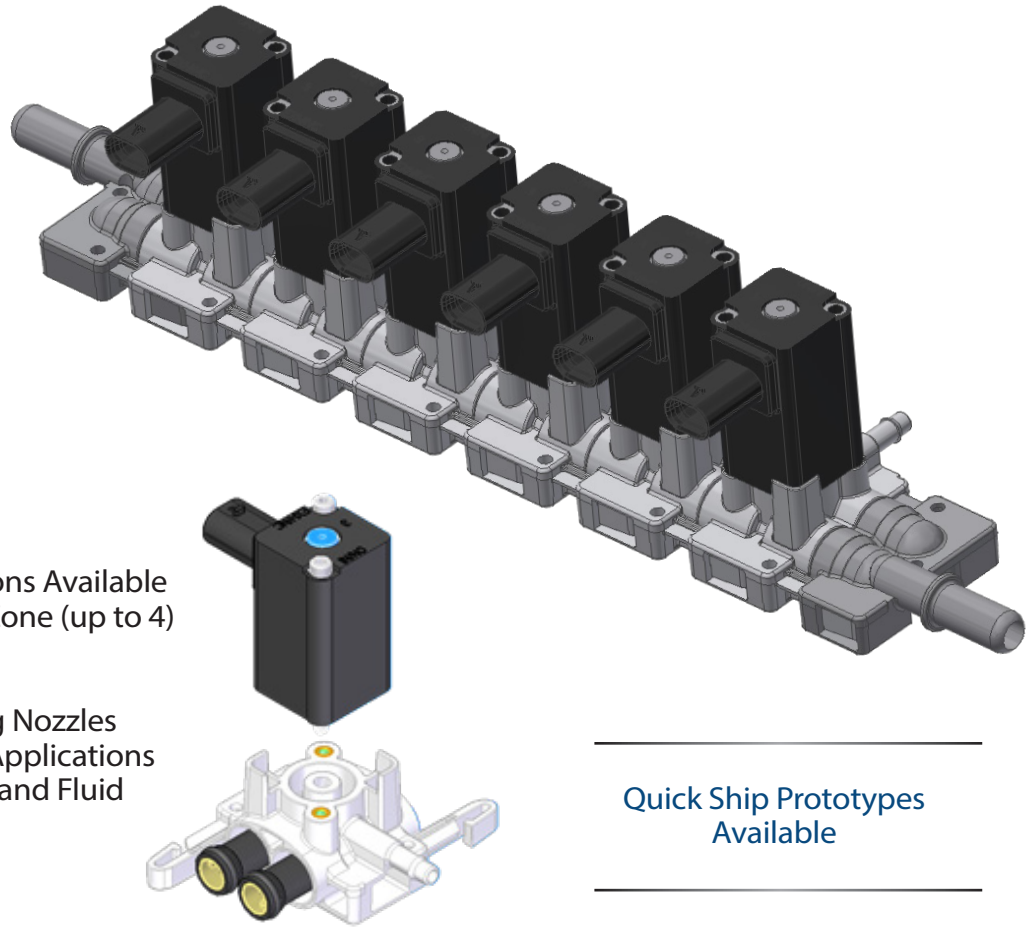
Keeps Autonomous Vehicle Sensors & Cameras Clean! A multi-zone valve assembly uniquely designed to meet the demands of both washing fluid and compressed air to clean the sensors and cameras for autonomous vehicles.

---

With a single washer pump, you can now control specifically what sensor needs to be cleaned without the waste of cleaning fluid or compressed air going to every nozzle.

---

- Patent Pending Design
- Single Connection Point / Port
- Custom Wire Harness Connections Available
- Multiple Nozzle Capability per Zone (up to 4)
- Modular Zero Leak Design
- Integrated Low-Power Coil
- Works with Static or Telescoping Nozzles
- Proven Design on Automotive Applications
- Universal Valve and Base for Air and Fluid
- Made in the USA
- Works with Heated Fluid



---

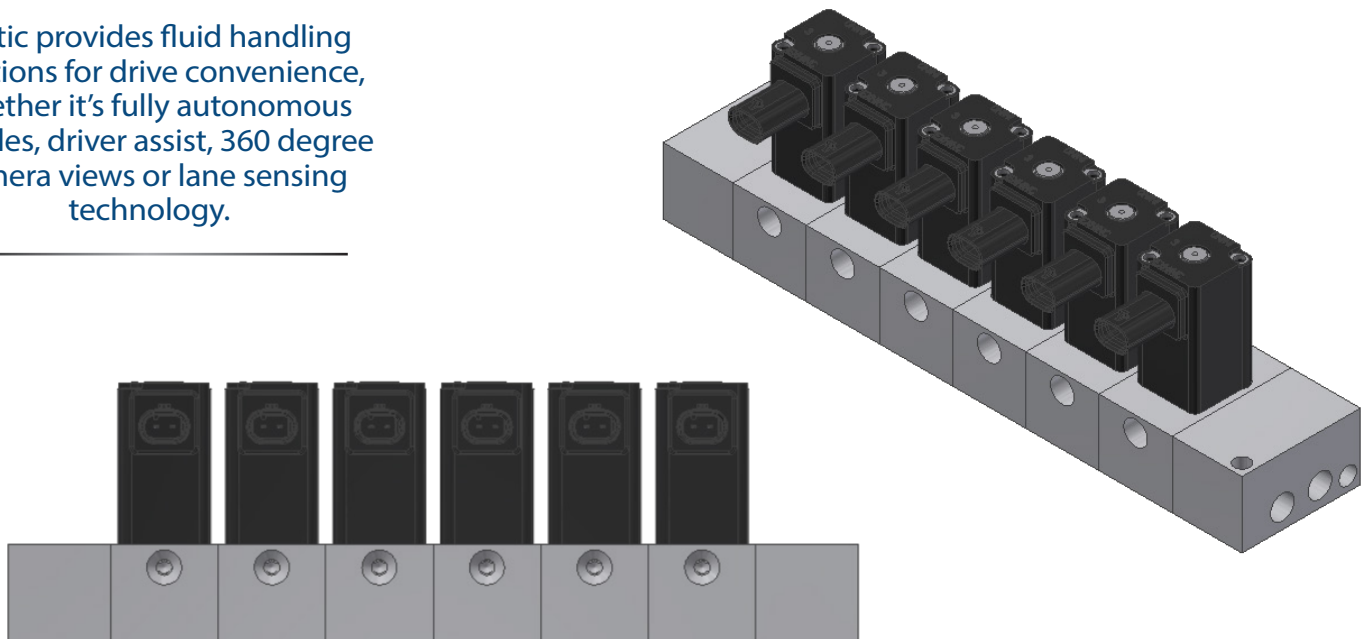
Quick Ship Prototypes Available

---

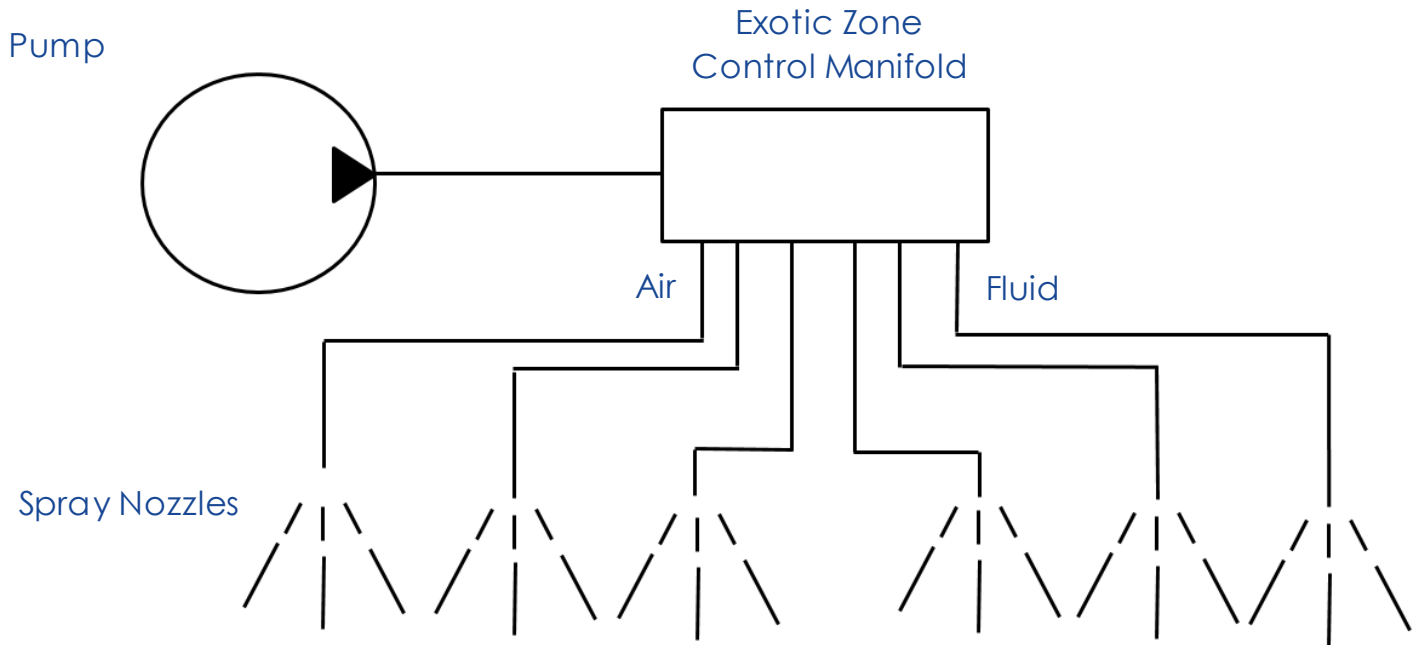
---

Exotic provides fluid handling solutions for drive convenience, whether it's fully autonomous vehicles, driver assist, 360 degree camera views or lane sensing technology.

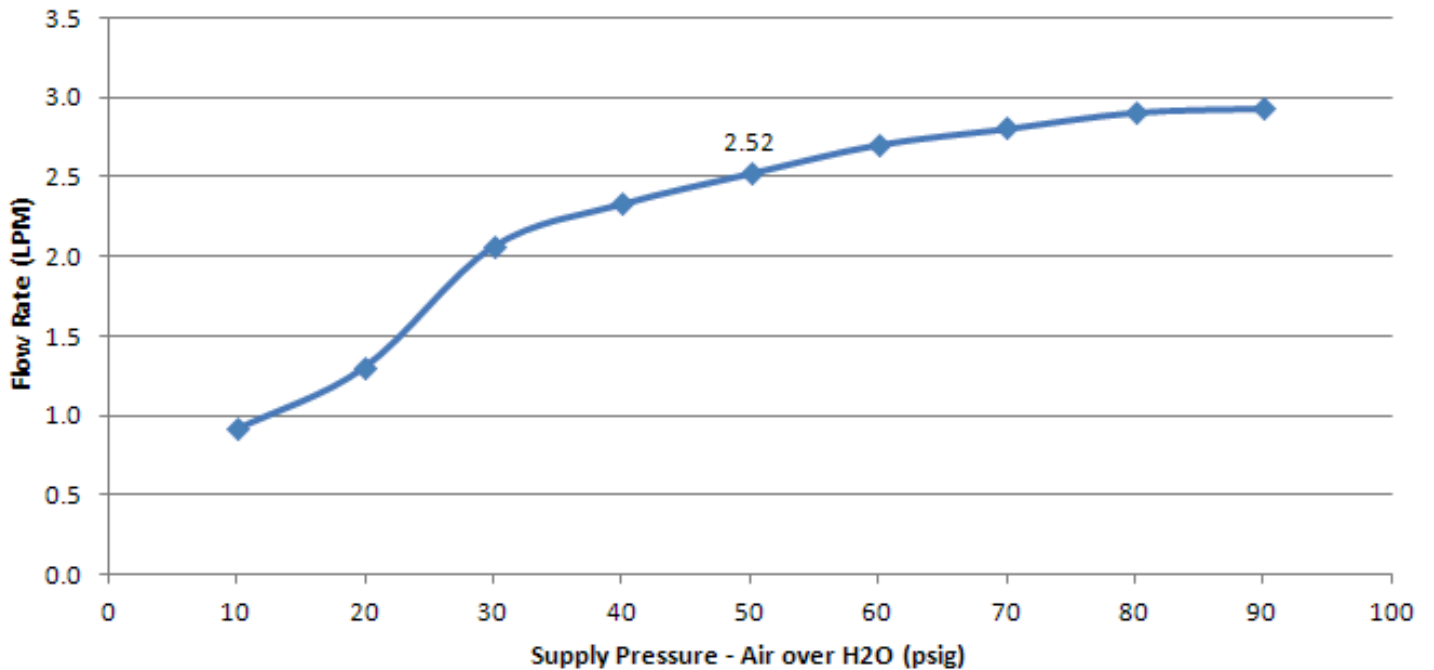
---



## Schematic:



## Flow & Pressure Curve - Fluid:





## Fluid Control Manifold Specifications

Pressure Rating	Up to 80 psi / 5.51Bar
Flow Rating - Air	4.03SCFM @ 50psi
Flow Rating - Fluid	2.5LPM @ 3.45Bar / .66GPM @50psi
Operating Temperature	-4°F to 221°F / -20°C to 105°C
Operating Voltage	9V to 16V (3.75W at 12V)
Response Time	5 to 6 milliseconds
Global Washer Fluid Compatibility	Methyl Alcohol, Isopropyl Alcohol, Ethanol Alcohol
Weight per Zone	.15lb / 68 grams
Connection Port Type	1/8" SAE Straight Thread
IP Rating	IP 67 with DIN Connector
Mounting Orientation	Can be Mounted in Any Orientation
Wetted Materials	304 and 416 SS, EPDM, Nylon
Air Flow	115 LPM @ 50 psi
Water Flow	2.5 LPM @ 5 psi
Durability	Tested to 2 Million Cycles

Subbases available in aluminum or plastic to fit your application.

Programmed through the vehicle ECM for automatic washing cycles.

Eliminate the error messages and inconveniences of having to manually clean a sensor.





New Hudson -  
 Corporate Headquarters  
 53500 Grand River Avenue  
 New Hudson, MI 48165  
 (248) 477-2122  
 (248) 477-0427 Fax  
 sales@erpc.com



New Hudson  
 Parker Store  
 53500 Grand River Avenue  
 New Hudson, MI 48165  
 (248) 477-2122  
 (248) 477-0427 Fax

Freeland  
 Parker Store  
 10359 Hercules Drive  
 Freeland, MI 48623  
 (989) 695-5300  
 (989) 695-2478 Fax

Ann Arbor  
 Parker Store  
 3934 Varsity Drive  
 Ann Arbor, MI 48108  
 Phone: (734) 794-2460  
 (734) 794-2469 Fax

Jackson  
 Parker Store  
 2340 East High Street  
 Jackson, MI 49203  
 (517) 787-1540  
 (517) 787-3922 Fax

Flint  
 Parker Store  
 4186 Pier North Blvd.  
 Suite A  
 Flint, MI 48504  
 (810) 720-4370  
 (810) 720-4380 Fax

Lansing  
 Parker Store  
 4103 Grand Oak Dr.  
 Suite B103  
 Lansing, MI 48911  
 (517) 322-0113  
 (517) 394-7564 Fax

Livonia Parker Store  
 34025 Schoolcraft  
 Livonia, MI 48150  
 (734) 388-9966  
 (248) 477-0427 Fax

Taylor Parker Store  
 20575 Northline Road  
 Taylor, MI 48180  
 (734) 282-7775  
 (734) 282-7450 Fax

Rochester Hills  
 Parker Store  
 1938 Star Batt Drive  
 Rochester Hills, MI 48309  
 (248) 299-2400  
 (248) 299-2406 Fax

Indianapolis  
 Parker Store  
 5230 Emerson Park Drive  
 Suite J  
 Indianapolis, IN 46203  
 (317) 776-6680

Shelby Township  
 Parker Store  
 12798 23 Mile Rd  
 Shelby Twp, MI 48315  
 (586) 685-3020  
 (586) 685-0259 Fax

Noblesville  
 Parker Store  
 17450 Bataan Court  
 Noblesville, IN 46062  
 (317) 773-8119