









"AT-A-GLANCE" PRODUCT OVERVIEW

Workholding and Automations Solutions

destaco.com

 Clamping	 Conveying	 Gripping
 Rotating/Indexing	 Robotic Tooling	 Motion Control

PRODUCTS

 Assembly	 Clean Room	 CNC/Machining
 Electric Products	 Fixture and Testing	 Harsh Environment
 Plastic Injection Molding	 Press Room/Stamping	 Welding

APPLICATIONS



Focusing all of our Resources

New Product Development

DESTACO has dedicated resources to design and build the next generation of products and solutions

Customer and Technical Service

DESTACO has industry leading global support to address any product and application concerns you may have

Design Tools

DESTACO provides an extensive CAD library, sizing software, and online tools to support our global customers

Our Insight Working for You

Application Engineering

We utilize our expertise and complete portfolio of products to create solutions that fit our customers' needs and applications

Custom Solutions

If our off-the-shelf solutions don't fit, we will partner with our customers to develop products that will

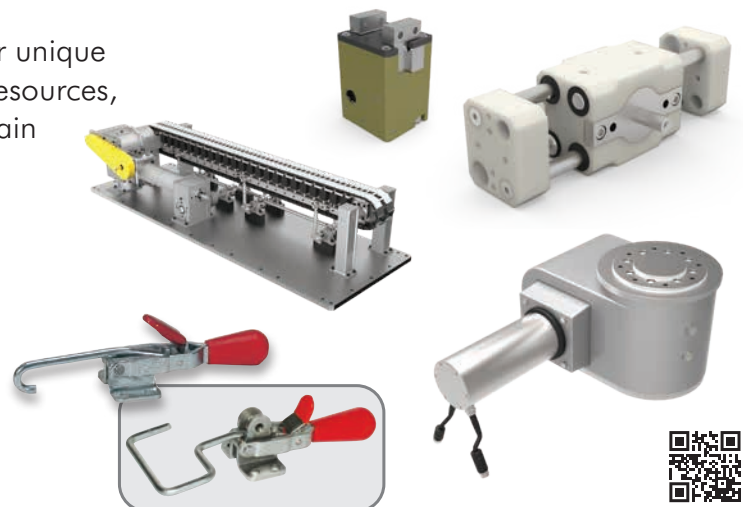


When an off-the-shelf product can't handle it - we can!

With many years of experience working with OEM machine builders, we can make our product fit your unique application. We will partner with you to design the right product for your application – from altering an existing product to building a completely new product, we have the experience and expertise to help your project succeed.

Using our expertise to develop custom solutions for unique applications, DESTACO helps you save time and resources, allowing you to focus on your core business and gain a competitive advantage in the marketplace.

- Proven quality from the experts
- Reduce risk by using our experienced engineers
- Easy reordering with unique part numbers
- Simplify your supply chain
- Three levels of customization from simple alterations to complex custom products



AUTOMATION PRODUCTS - ROBOHAND GRIPPERS, ROTARIES AND SLIDES

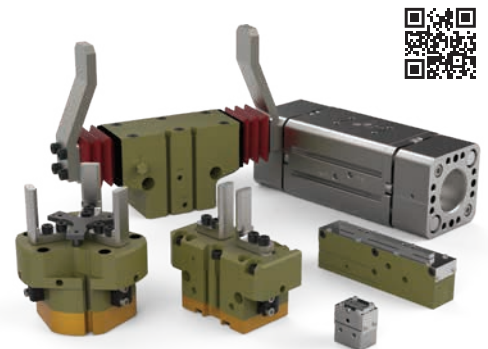
OEM Products



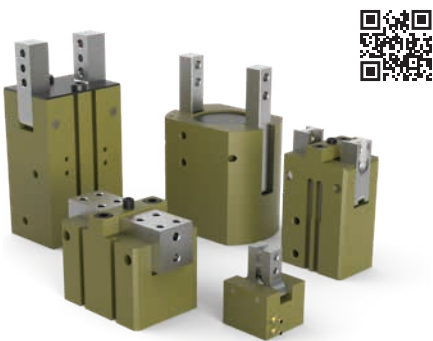
Electric Parallel Grippers



Parallel Grippers



Angular Grippers



Special Grippers



ROBOHAND

Rotary Actuators



Linear Slides



Feed Escapements



STABILUS GROUP

STABILUS



ACE
A STABILUS COMPANY



HAHN
GASFEDERN
A STABILUS COMPANY



The products below may be offered by one or more expert brands. Click or scan



Gas Springs



Shock Absorbers



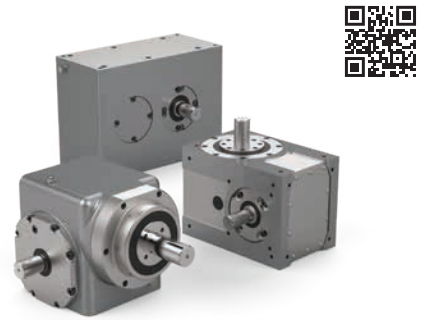
Safety Dampers

AUTOMATION PRODUCTS - CAMCO SERVO AND MECHANICAL POSITIONERS

Servo Positioner Rotary Tables

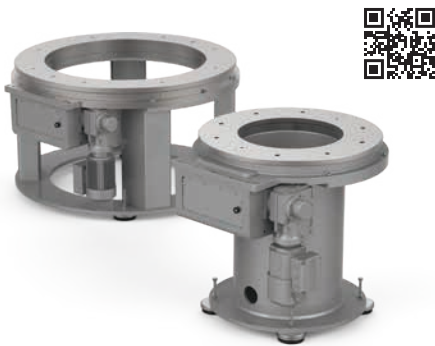
Mechanical Dial Drives

Mechanical Index Drives

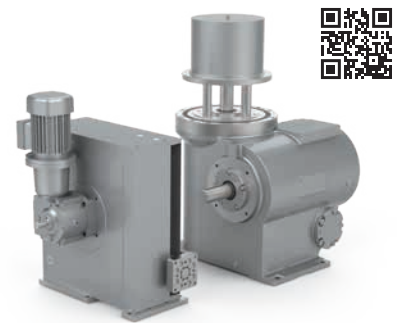


Ring Drive Dial Indexer

Part Handlers



CAMCO



Conveyor Systems

Overload Clutches

Custom Cams



EXPERT BRANDS



Scan the QR codes to learn more about each expert brand and their products.



Vibration Isolation



Mounts



Levelers

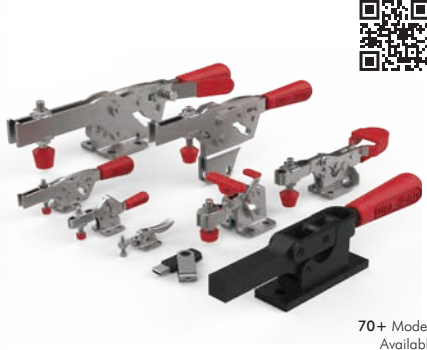
For more information, please contact us at solutions@destaco.com

MANUAL AND PNEUMATIC POWER CLAMPS

Vertical Hold Down Clamps



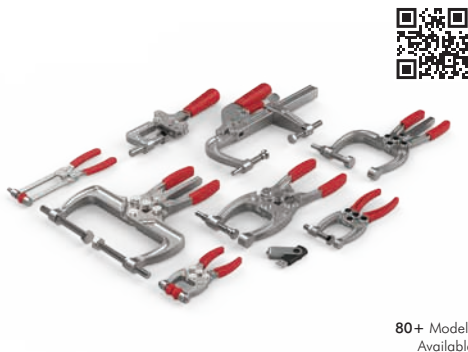
Horizontal Hold Down Clamps



Push Action Clamps



Squeeze Action Plier Clamps



Pull Action Latch Clamps



Pneumatic Toggle Clamps



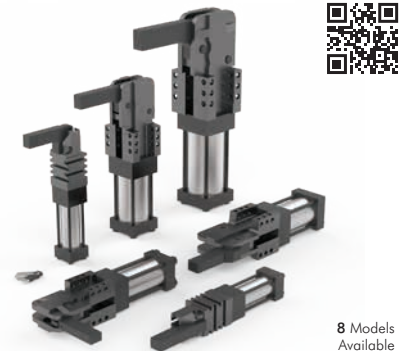
Pneumatic Swing Clamps



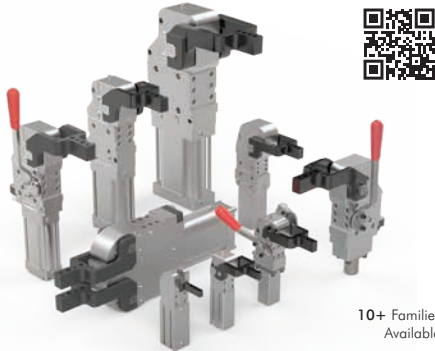
Pneumatic Power Cylinders



Pneumatic Round Power Clamps



Pneumatic Power Clamps



Electric Clamping & Positioning



Pin Clamps & Packages, Pivot Units

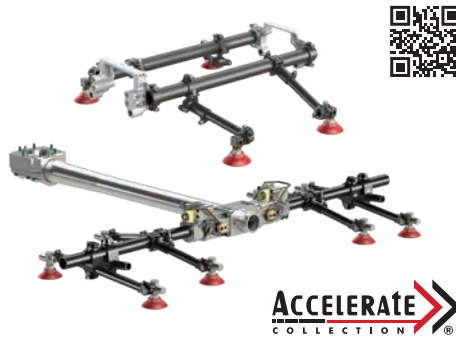


END EFFECTOR AND COBOT SOLUTIONS

Small Payload Robot & Cobot Solutions



Accelerate® Lightweight Tooling



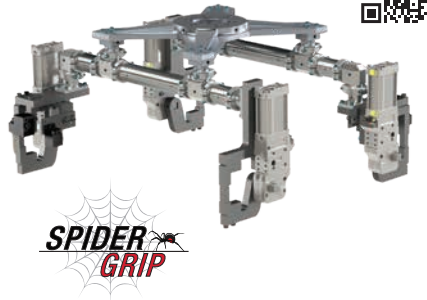
World Tool Composite Boom



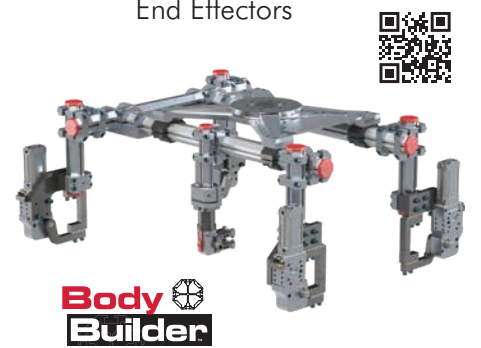
Tool Changers & Compliance Devices



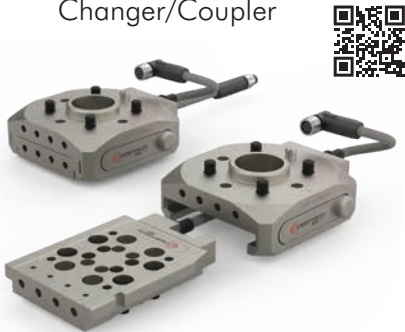
SpiderGrip™ Geometric End Effectors



BodyBuilder™ Octagonal End Effectors



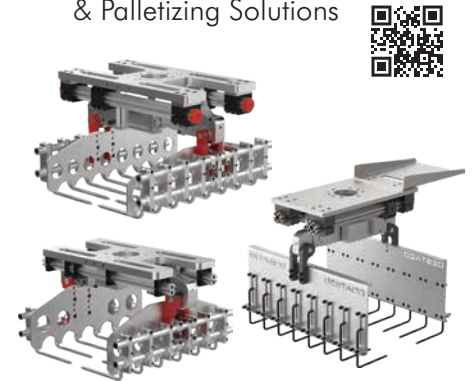
TC1 Manual Tool Changer/Coupler



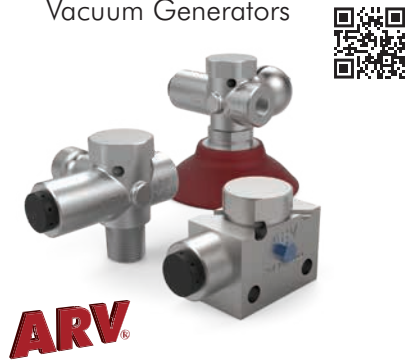
Sheet Metal Gripping & Accelerate® Press Room Grippers



Flexible Bag Gripping & Palletizing Solutions



ARV® Auto Release Venturi Vacuum Generators



Vacuum Cups & Products



Destacker Products



CLICK OR SCAN

For more information on these products
click or scan the corresponding QR code

DIGITAL LITERATURE & RESOURCES

Manual & Pneumatic
Hold Down Clamping
Visual Selection Guide



Pneumatic Clamping,
Locating & Positioning
Visual Selection Guide



Small Payload Robot/
Cobot Solutions
Visual Selection Guide



Robohand Products
Visual Selection Guide



Sheet Metal Grippers
Visual Selection Guide



End Effector &
Vacuum Products
Visual Selection Guide



Tool Changers
& Compliance
Visual Selection Guide



Camco Indexers, Conveyors
& Part Handlers
Product Overview



CRL Remote Handling
& Containment Solutions
Website



GLOBAL SALES CONTACTS

CORPORATE HEADQUARTERS



US
+1-888-DESTACO
+1-248-836-6700
northamerica@destaco.com

THE BEST PRODUCTS.
UNMATCHED SERVICE.
WORLDWIDE.



DE
+49-6171-705-0
europe@destaco.com



SP
+34-936361680
spain@destaco.com



PL
+48-506002115
poland@destaco.com



IN
+91-80-41123421-426
india@destaco.com



MX
mexico@destaco.com



FR
+33-4-7354-5001
france@destaco.com



CN
+86-21-6081-2888
china@destaco.com



NL
+31-297285332
benelux@destaco.com



SG
singapore@destaco.com



UK
+44-1902-797980
uk@destaco.com



TH
+66-2-326-0812
asia@destaco.com



CZ
+420-603-577-341
czech@destaco.com



CA
canada@destaco.com



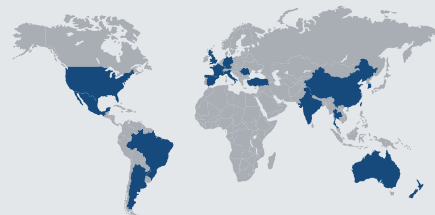
Click or Scan for
the latest PDF version
of this document.



Click or Scan
to learn more
about Stabilus.



Industries



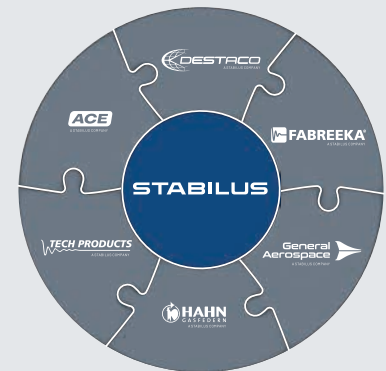
45 Locations in 18 Countries



8K Employees



2023 Revenues



Expert Brands