




SPR  
Small Payload Robot Solutions

VISUAL SELECTION GUIDE

SPR10

Small Payload Robot/
Cobot Solutions (<10kg)

destaco.com

MARKETS



AUTOMOTIVE



CONSUMER GOODS



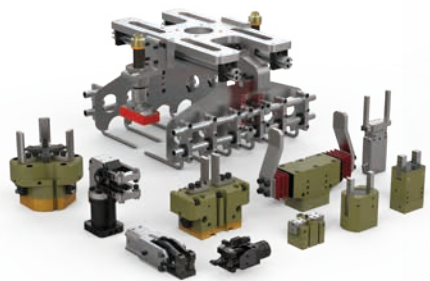
INDUSTRIAL



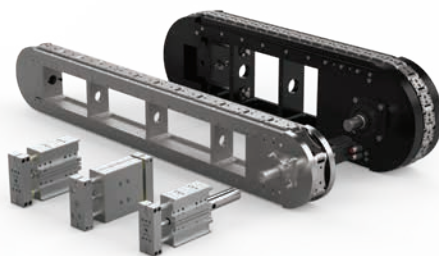
LIFE SCIENCES

ABOUT DESTACO

Built on a Strong Foundation



Gripping Solutions



Linear Positioning Solutions



Rotary Positioning Solutions



Clamping Solutions



CRL Remote Handling Solutions



Robotic Tooling Solutions

DESTACO, a Stabilus Group company, is a global leader in the design and manufacture of high-performance automation, workholding and remote-handling solutions. The company serves customers in a variety of end-markets, including the automotive, life sciences, consumer packaged goods, aerospace, industrial and nuclear sectors.

Built on a legacy of more than 100 years, DESTACO offers a comprehensive portfolio of products designed to engineer precise movement, placement and control solutions that drive productivity and uptime for manufacturers around the world. The DESTACO family of products consists of industry-leading brands such as DESTACO Manual Clamps, Power Clamps, and End Effectors; CAMCO™ and Ferguson™ Indexers; Robohand™ Grippers; and CRL™ Manipulators and Transfer Ports.

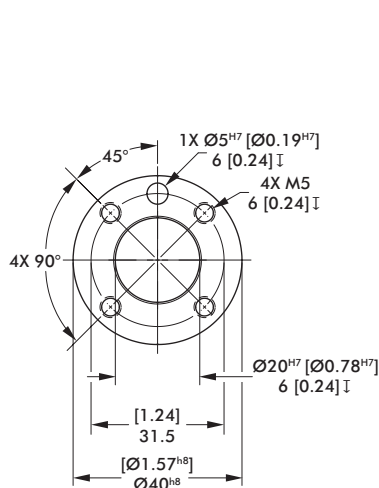
DESTACO is based in Auburn Hills, Michigan, U.S.A. The company has more than 800 employees with 13 locations, in 9 countries, across the Americas, Europe and Asia.

Stabilus is one of the world's leading providers of motion control solutions for customers across a broad spectrum of industries including mobility, industrial machinery, automation, energy, construction, health, recreation, and furniture. Stabilus offers reliable and innovative solutions that enable, enhance and automate precise movement, placement, as well as opening, closing, lifting, lowering and adjusting actions. The Group, which has its headquarters in Koblenz, has a global production and distribution network with more than eight thousand employees worldwide and generated revenues of €1.2 billion in the 2023 fiscal year. Stabilus SE is listed in the Prime Standard segment of the Frankfurt Stock Exchange and included in the MDAX index.

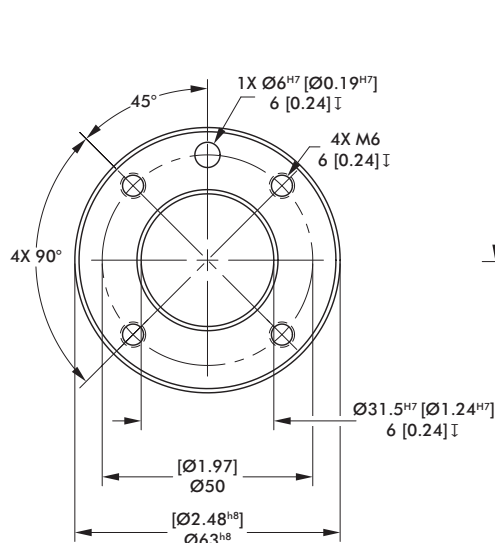
More information is available at destaco.com and group.stabilus.com

Manufacturer	Models		
GENERIC	Any model with ISO-9409-1-31.5-4-M5	Any model with ISO-9409-1-50-4-M6	Any model with ISO-9409-1-80-6-M8
ABB	CRB 1100	CRB 15000	
AUBO		I3, I5, I7, I10	
DOBOT		CR - 5	CR20A
DOOSAN ROBOTICS		M0609, M1509, M1013, M0617	
ESI		C-7, C-15	
F&P PERSONAL ROBOTICS		P-ROB 2R-24V, 48V	
FRANKA EMIKA		PANDA	
HAN'S ROBOTS		ELFIN 3, 5, 10	
HANWHA PRECISION MACHINERY		HCR-3, 5, 12	
JAKA/KUNLIN		ZU 7, 12	
KAWADA INDUSTRIES		NEXTAGE	
KUKA		LBR iiwa 7 R800, LBR iiwa 14 R820	
MODBOT		Robot, SCARA	
Omron TM		TM 5-700, TM 5-900, TM 12, TM 14	
RAINBOW ROBOTICS		RB5	
REIS		RV10-6, RV20-6	
ROZUM		PULSE 75, 90	
SIASUN		GCR5, GCR14, GCR20, SCR3, SCR5	
STAUBLI	TX2 40, TX2 60	TX2 90, TX2 TOUCH 90, TX2 TOUCH 90L, TX2 TOUCH 90XL	
TECHMAN		TM5M-700, TM5M-900, TM12M, TM14M	
UNIVERSAL ROBOTS		UR3e, UR5e, UR10e, UR16e	UR20, UR30
FANUC	CR-4iA, CR-7iA, CR-7iA/L, CR-14iA		
KAWASAKI	DUARO1, DUARO2		
YASKAWA / MOTOMAN	GP7, GP8		HC 20DT, HC 20

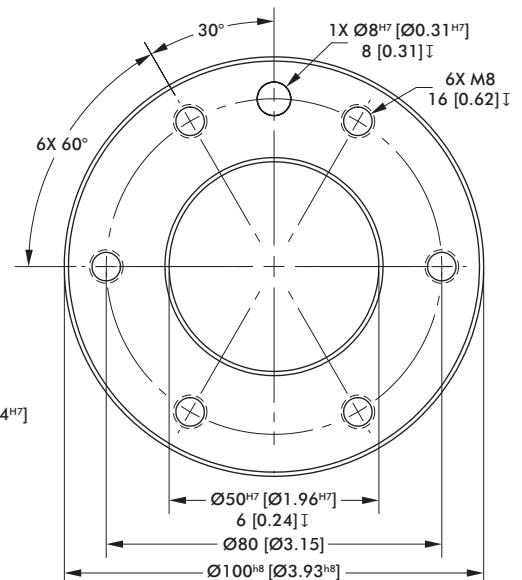
ISO-9409-1-31.5-4-M5



ISO-9409-1-50-4-M6



ISO-9409-1-80-6-M8



SPR10 SOLUTIONS

Small Robot and Cobot Solutions

CLICK OR SCAN
QR codes for full catalog
pages on products

Small Payload Robot Tooling (<10kg)

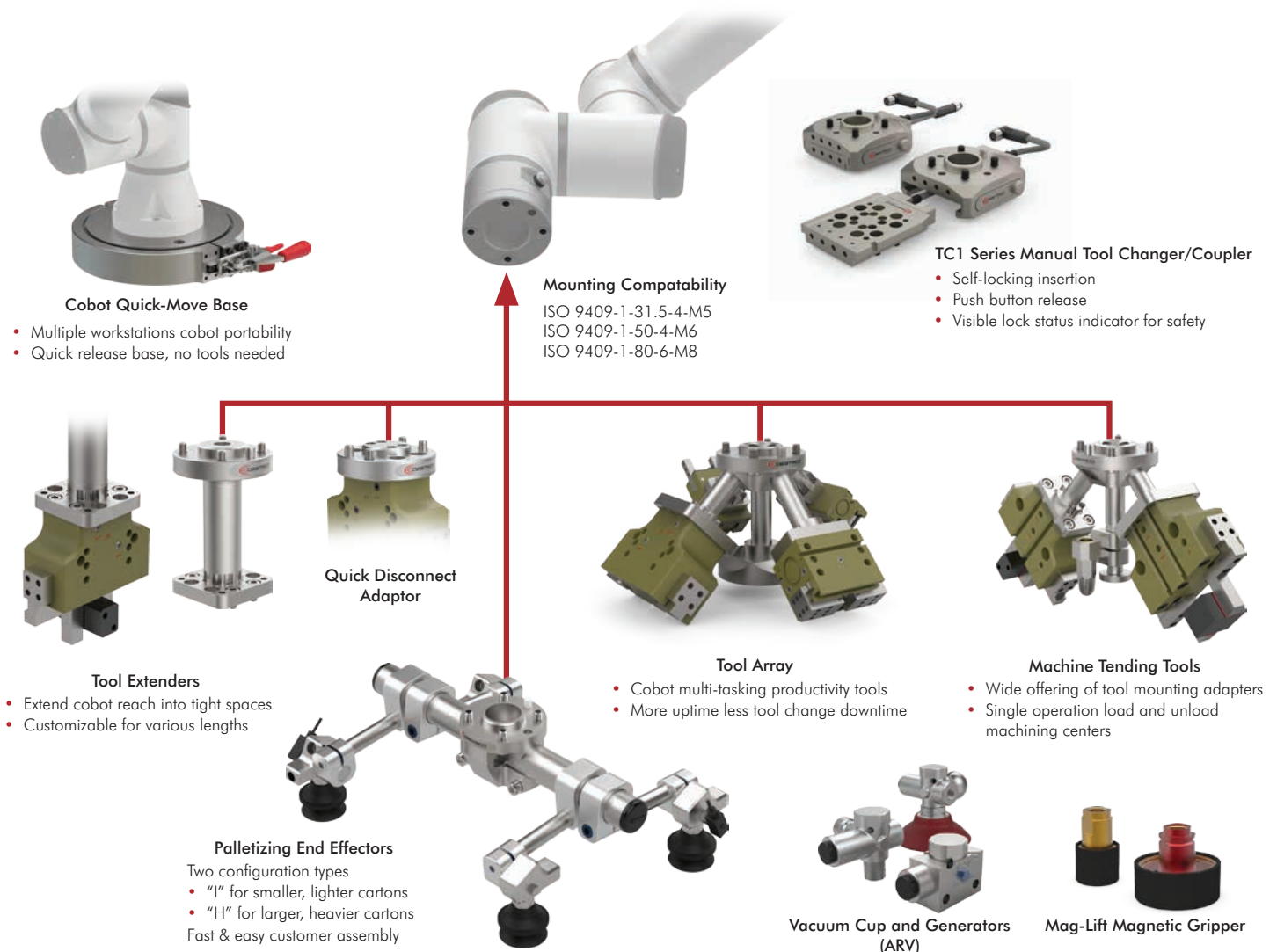
for Small to Medium-sized Part Handling Solutions



DESTACO has designed its cobot tooling solutions for simplicity and ease of use with off-the-shelf availability via kits that feature all of the end-user selected accessories, along with the hardware and tools needed for installation, reducing the need to consult an application engineer. All of the tooling solutions are compatible with cobots that have an ISO 9409-1-31.5-4-M5, ISO 9409-1-50-4-M6, ISO 9409-1-80-6-M8 end-of-arm mounting pattern. Blank robot and tool plates are offered for those who wish to use their own mounting patterns.



DESTACO Cobot Solutions Overview



CLICK OR SCAN
QR codes for full catalog
pages on products

SPR10 SOLUTIONS

Small Robot and Cobot Solutions

Small Payload Robot Tooling (<10kg) | Product Overview



TC-1
Manual Tool Changer/Coupler



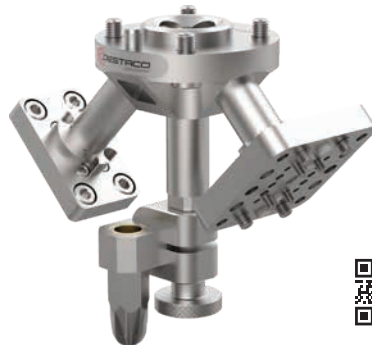
Quick-Move
Robot Base Solutions



DirectConnect
Robot Gripper Adapter



Multi-Mount
Tool Extensions



Multi-Mount
Machine Tending Solutions



Multi-Mount
Tool Array Solutions



Micro-Tool Palletizing Solutions



Tool Tree Storage Solutions



Vacuum and Magnetic Grippers

Magnetic Grippers



Vacuum Grippers



SPR10 SOLUTIONS

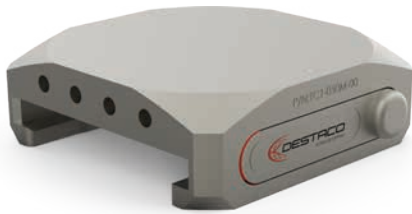
TC1 Series | Manual Tool Changer/Coupler

CLICK OR SCAN

To view full catalog pages on this product



TC1-M Robot Plates



Blank Robot Plate



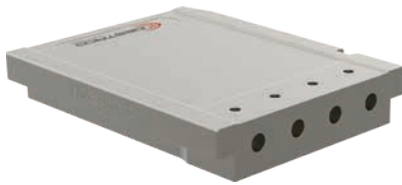
ISO 9409 Mounting



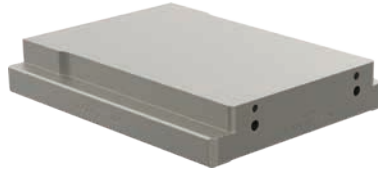
Model	Weight kg [lb]
TC1-050M-00	0.13 [0.29]

Model	Weight kg [lb]
TC1-050M-01	0.14 [0.31]

TC1-T Tool Plates



Blank Tool Plate



Model	Weight kg [lb]
TC1-050T-00	2.51 [5.53]



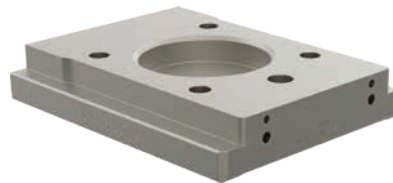
DirectConnect Robohand Mounting



Model	Weight kg [lb]
TC1-050T-01	2.26 [4.98]



ISO 9409 Mounting



Model	Weight kg [lb]
TC1-050T-02	2.26 [4.98]



CLICK OR SCAN

To view full catalog pages on this product

SPR10 SOLUTIONS

TC1 Series | Manual Tool Changer/Coupler



Tool Changer shown with TC1-E01M-C01 and TC1-E01T-C01 modules installed.



Tool Changer shown with TC1-E01M-C01 and TC1-E01T-P01 modules installed.



TC1-E Electric Modules



Robot Plate 8-Pin M8 Socket Electrical Pass-thru Module

Model	Weight kg [lb]
TC1-E01T-P01	0.13 [0.29]



Tool Plate 8-Pin M8 Plug Electrical Pass-thru Module

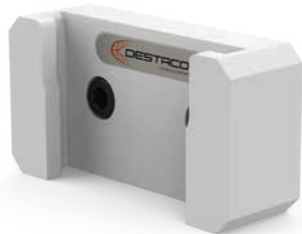
Model	Weight kg [lb]
TC1-E01T-C01	0.14 [0.31]



Tool Plate Magneto Resistive 4mm Sensing Module

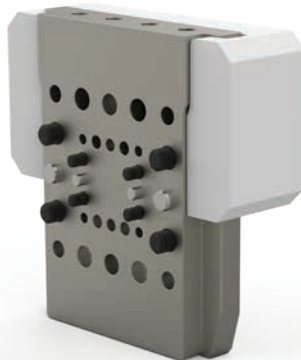
Part Number	Weight kg [lb]	Description
TC1-E01T-P01	0.09 [0.20]	PNP
TC1-E02T-N01		NPN

TC1-H Tool Holder



For Tool Plate

Model	Weight kg [lb]
TC1-050H-01	0.13 [0.29]



Tool Plate shown placed in Tool Holder.



SPR10 SOLUTIONS

Quick-Move Robot Base Changer



CLICK OR SCAN

To view full catalog pages on this product



CB Robot Adapter Kit for Tool Extension Solutions



ISO 9409 Mounting

Model	Weight kg [lb]
CB-200-R01	2.51 [5.53]

CB Robot Plate Blank



Model	Weight kg [lb]
CB-200-R00	2.26 [4.98]

CB-C Clamp Collar



Model	Weight kg [lb]
CB-200-C01	2 [4.40]



CB-B Workstation Base Plate



Model	Weight kg [lb]
CB-200-B01	2.28 [5.00]

Robot Plate Compatibility Chart

Robot Manufacturer	Model	Robot Plate
TECHMAN	TM5M-700, TM5M-900, TM12M, TM14M	CB-200-R01
UNIVERSAL ROBOTS	UR3e, UR5e, UR10e, UR16e	
HANWA PRECISION MACHINERY	HCR-3, HCR-5	
OMRON TM	TM5-700, TM5-900, TM12, TM14	
DOBOT	CR-5	
Other Robots	Various	CB-200-R00



CLICK OR SCAN

To view full catalog pages on this product



SPR10 SOLUTIONS

DirectConnect Gripper Adaptor Kit

AP Robot Adapter Kit
for Robohand Grippers



Model	fits Mounting Pattern*	Weight kg [lb]
AP-031-01	ISO-9409-1-31.5-4-M5	0.102 [0.22]
AP-050-01	ISO-9409-1-50-4-M6	0.13 [0.28]
AP-080-01	ISO-9409-1-80-6-M8	0.36 [0.79]

*See page 3 for dimensions and robot compatibility.

AP Gripper Mounting Compatibility



Gripper Models	Compatible Series	Description
DPG	All Size	Pneumatic 2-Jaw Parallel Gripper*
DPDL	047, 056, 088	
DPDS	047, 056, 088	
DPP	10M, 14M	
DPW	250M	
G110, G120	08, 11	Electric 2-Jaw Parallel Gripper*
DPE	200-25	
MG	050-01, 050-02	Magnetic Gripper

*Excludes AP-031-01.

8-Pin M8 NPN Sensor with Plug Connector



Part Number	Weight kg [lb]	Description
OHSN-023	0.011 [0.026]	NPN Magneto-resistive

8-Pin M8 PNP Sensor with Socket Connector



Part Number	Weight kg [lb]	Description
OHSN-022	0.011 [0.026]	PNP Magneto-resistive

SPR10 SOLUTIONS



CLICK OR SCAN
QR codes for full catalog
pages on products

Multi-Mount Solutions

Robot Adaptors and Extension Kits



TE Tool Extensions



MM Machine Tending



MM Tool Array

Example assemblies shown

TE Robot Adapter Kit
for Tool Extension Solutions



Model	fits Mounting Pattern*	Weight kg [lb]
TE-031-01	ISO-9409-1-31.5-4-M5	0.064 [0.14]
TE-050-01	ISO-9409-1-50-4-M6	0.13 [0.28]
TE-080-01	ISO-9409-1-80-6-M8	0.36 [0.79]

*See page 3 for dimensions and robot compatibility.

MM Robot Adapter Kit
for Machine Tending and Tool Array Solutions



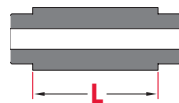
Model	fits Mounting Pattern*	Weight kg [lb]
MM-050-01	ISO-9409-1-50-4-M6	0.14 [0.31]
MM-080-01	ISO-9409-1-80-6-M8	0.45 [0.99]

*See page 3 for dimensions and robot compatibility.

TE Extension Kit



TE-25040
Extension Kit
Shown



for Tool Extension Solutions

Model	(L) mm [in]	Weight kg [lb]
TE-25040	40mm	0.07 [0.15]
TE-25060	60mm	0.10 [0.22]
TE-25080	80mm	0.13 [0.29]
TE-25100	100mm	0.16 [0.35]

MM Extension Kit



MM1530
Extension Kit
Shown

for Machine Tending/
Tooling Array Solutions

Model	(L) mm [in]	Weight kg [lb]
MM-1520	20mm	0.25 [0.05]
MM-1530	30mm	0.31 [0.06]
MM-1540	40mm	0.37 [0.08]

MM Air Blow-Off Kit for Machine Tending



Accepts G $\frac{1}{8}$ or $\frac{1}{8}$ NPT Male Fitting

Model	Weight kg [lb]
MM-T-05	0.051 [0.11]

CLICK OR SCAN
QR codes for full catalog
pages on products

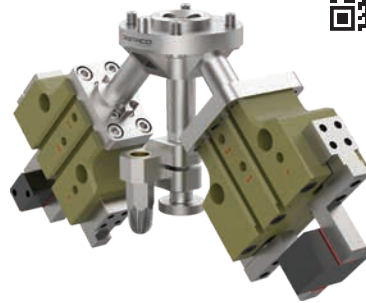


SPR10 SOLUTIONS

Multi-Mount Solutions Tool Plate and Mount Kits



Tool Extensions



Machine Tending

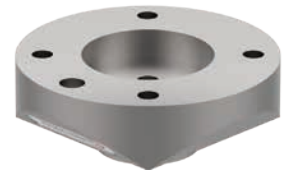
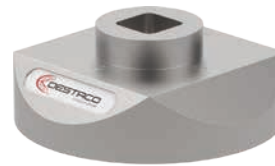
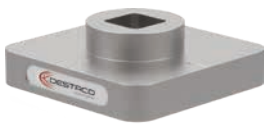


Tool Array

Example assemblies shown

MM-T Tool Plate

for Tool Extenders, Machine Tending and Tool Array Solutions



Blank for Customization

Model	Weight kg [lb]
MM-T-01	0.07 [0.15]

ISO 9409 Mounting

Model	Weight kg [lb]
MM-T-02	0.11 [0.24]

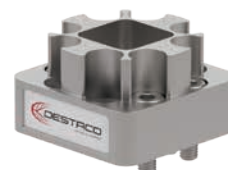
MM-T DirectConnect Tool Mount Kits

for Tool Extenders, Machine Tending and Tool Array Solutions



3mm and 5mm Square Mounting

Model	Weight kg [lb]
MM-T-03	0.06 [0.14]



3mm Square Mounting

Model	Weight kg [lb]
MM-T-04	0.021 [0.046]



3mm and 5mm Rectangular Mounting

Model	Weight kg [lb]
MM-T-05	0.051 [0.11]



3mm Rectangular Mounting

Model	Weight kg [lb]
MM-T-06	0.02 [0.04]

SPR10 SOLUTIONS



CLICK OR SCAN
To view full
catalog pages
on this product



MicroTool Palletizing End Effectors

How To Order:

(Example shown is based on I-Structure configured end effector, considering the following box specifications. The H-Structure would be ordered in the same way. Be sure to observe min/max box sizes when configuring end effector.

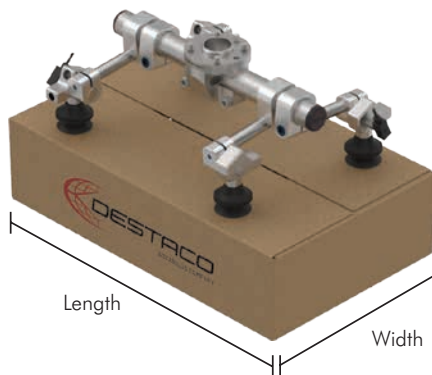
Length of Box (mm) = 600 **Width of Box (mm) = 450** **Weight of Box (kg) = 8**

	Model Number #	Description	Qty	Page
1	CA-050-01	Robot Adapter Kit	1	5
2	CPI-PAT-10T-12	Length Tube	1	6
3	VAA-300-1050-M18	Vacuum Arms	4	7
4	VC-B30N-18F	Vacuum Cups	4	9
5	360-VN-3	NPN Sensors	2	10

"I" Structure

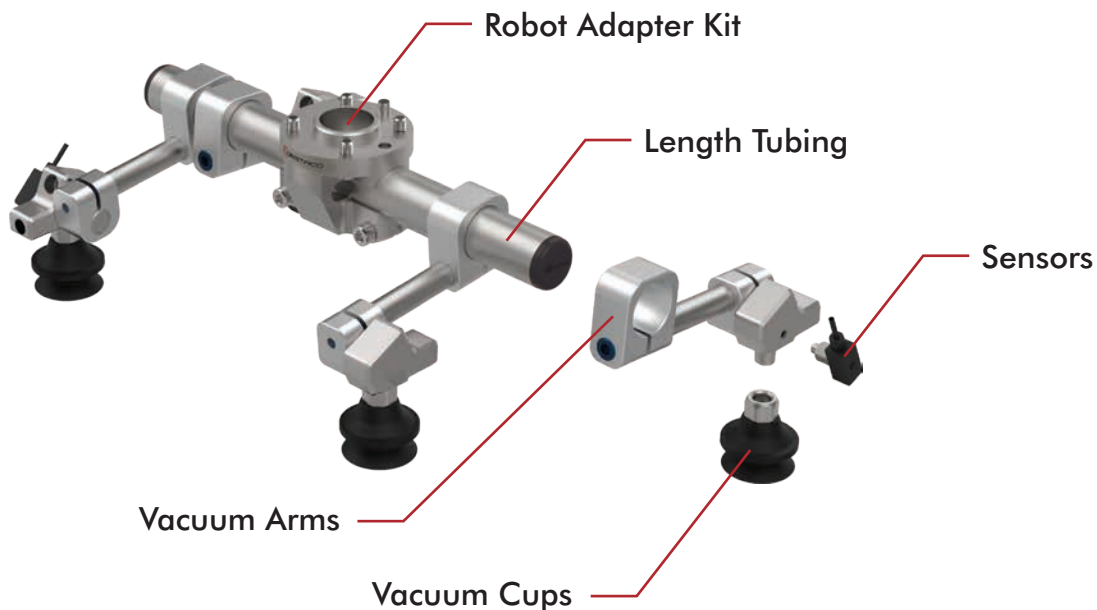
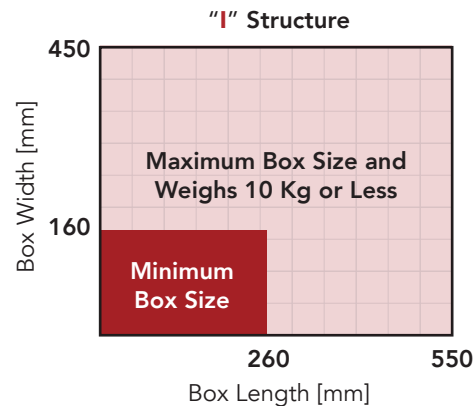
for Small to Medium Boxes <10kg

See Page 14 for individual components



"I" Structure Palletizing

Box Length
260mm to 550mm
Box Width
160mm to 450mm





CLICK OR SCAN
To view full
catalog pages
on this product

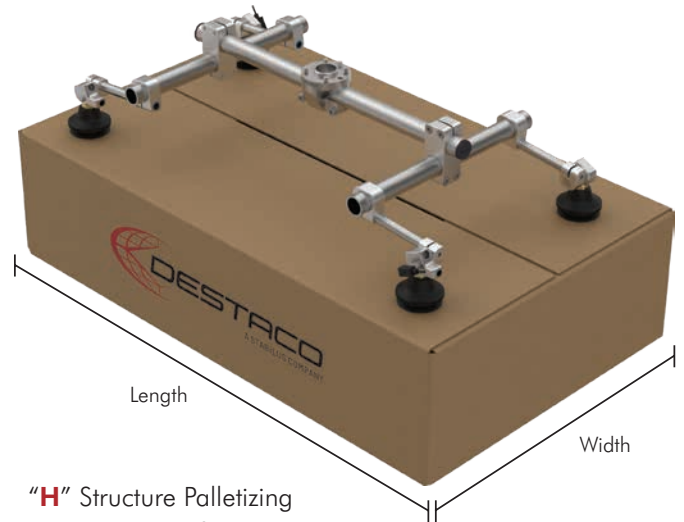
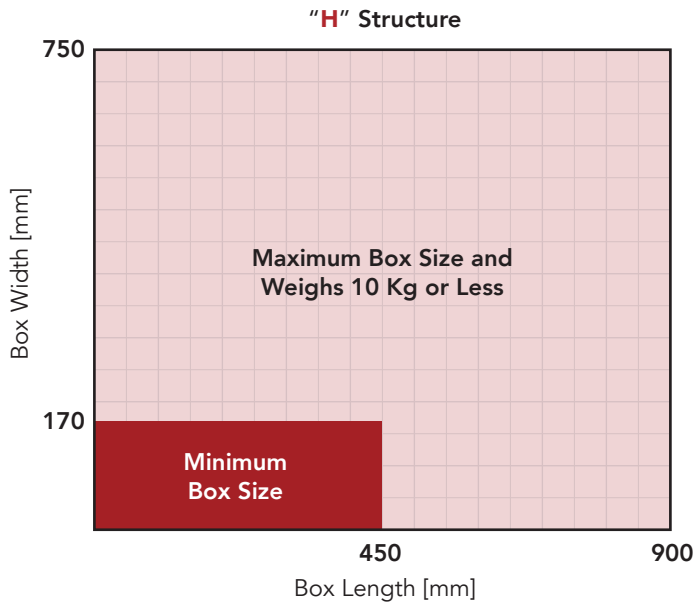


SPR10 SOLUTIONS

MicroTool Palletizing End Effectors

"H" Structure
for Medium to Large Boxes < 10kg

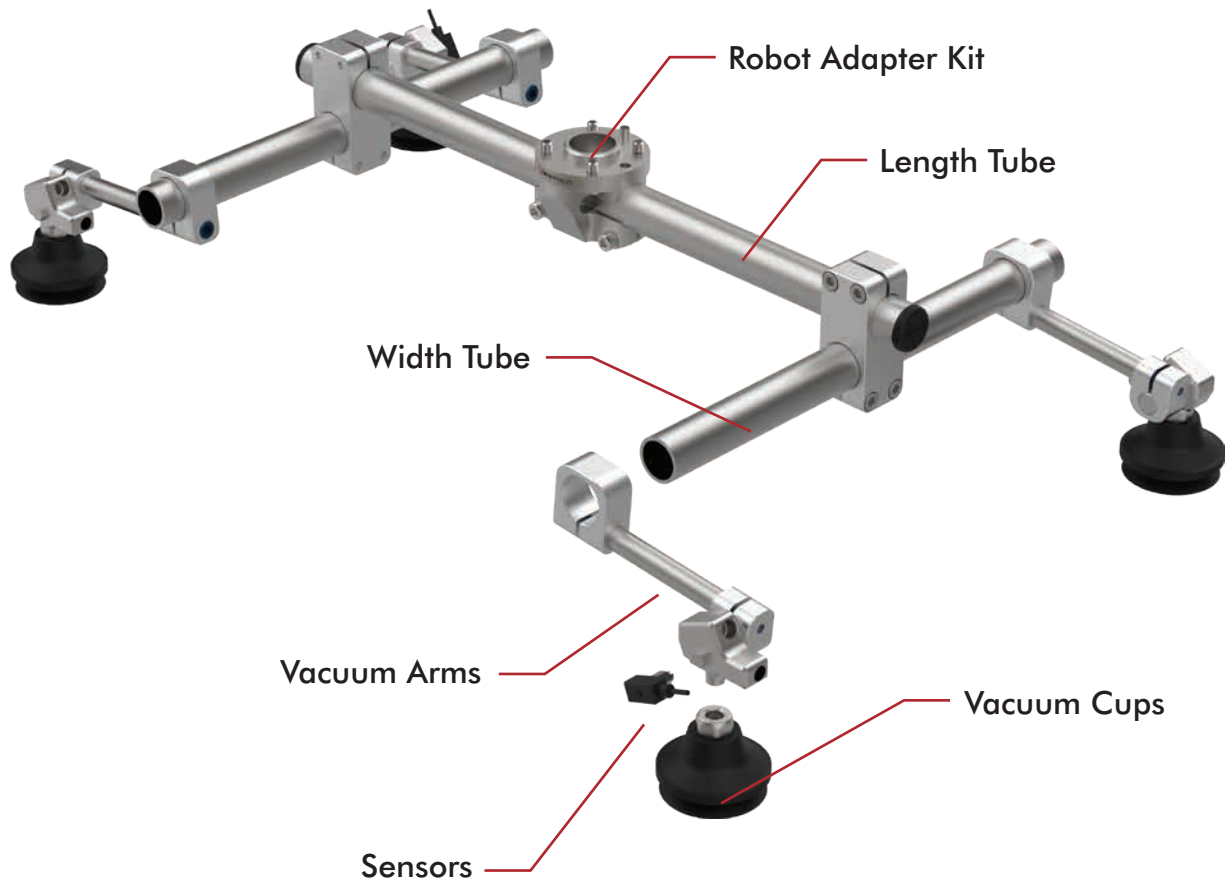
See Page 14 for individual components



"H" Structure Palletizing

Box Length
450mm to 900mm

Box Width
170mm to 750mm



SPR10 SOLUTIONS

MicroTool Palletizing End Effectors



CLICK OR SCAN

To view full catalog pages on this product



CA Robot Adapter Kit



for Ø1.00" Tubing

Model	fits Mounting Pattern	Weight kg [lb]
CA-080-01	ISO-9409-1-80-6-M8	0.52 [1.15]
CA-050-01	ISO-9409-1-50-4-M6	0.21 [0.46]

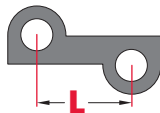
CLM Clamp Assembly Kit



Ø1.00" to Ø1.00

Model	Weight kg [lb]
CPI-CLM-10-10-EC	0.13 [0.29]

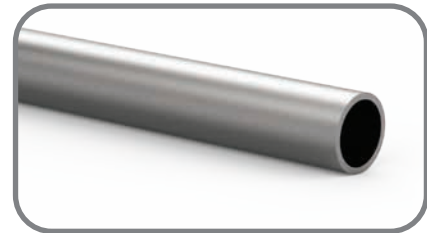
VAA Vacuum Assembly for Ø1.00" Tube



Ø1.00" to Ø 0.50" Applecore

Model	(L) mm [in]	Structure	Weight kg [lb]
VAA-200-1050-M18	50.7 [2.00]	I	0.09 [0.20]
VAA-300-1050-M18	76.1 [3.00]	I	0.10 [0.22]
VAA-400-1050-M18	101.6 [4.00]	I, H	0.11 [0.24]
VAA-500-1050-M18	127.0 [5.00]	I	0.12 [0.26]
VAA-600-1050-M18	152.4 [6.00]	I	0.13 [0.28]

PAT Thin Wall Tubing



Ø1.00"/ 0.85" Wall Thickness

Model	Structure	Weight kg [lb]
CPI-PAT-10T-06	H	0.06 [0.13]
CPI-PAT-10T-08	I, H	0.09 [0.20]
CPI-PAT-10T-10	I, H	0.11 [0.24]
CPI-PAT-10T-12	I, H	0.13 [0.29]
CPI-PAT-10T-14	I, H	0.15 [0.33]
CPI-PAT-10T-16	I, H	0.17 [0.38]
CPI-PAT-10T-18	H	0.19 [0.42]
CPI-PAT-10T-20	H	0.22 [0.48]
CPI-PAT-10T-22	H	0.24 [0.53]
CPI-PAT-10T-24	H	0.26 [0.57]

Vacuum Sensor



Part Number	Weight kg [lb]	Description
360-VN-3	0.09 [0.20]	NPN
360-VP-3		PNP

VC-B Micro Series Round Bellow Vacuum Cups (Female Mount)



Ø20mm

Model	Structure	Weight g [oz]
VC-B20N-18F	I, H	6.2 [0.20]



Ø30mm

Model	Structure	Weight g [oz]
VC-B30N-18F	I, H	11.5 [0.37]



Ø50mm

Model	Structure	Weight g [oz]
VC-B50N-18F	I, H	30.5 [0.98]

CLICK OR SCAN
QR codes for full catalog
pages on products



SPR10 SOLUTIONS

Vacuum and Magnetic Gripper Kits

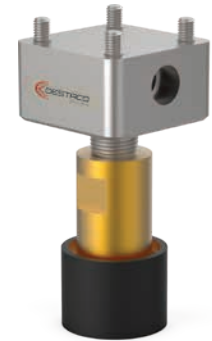
VSA ARV® Vacuum Gripper Kit



Shown with
Vacuum Sensor
and VC-B30N-18M
Vacuum Cup

Model	Weight kg [lb]
CPI-VSA-ARVS-5-U18	0.13 [0.29]

MG Magnetic Gripper Kit



Ø1.50"

Model	Weight kg [lb]
MG-050-01	0.31 [0.69]

VC-F Micro Series Round Flat Foot Vacuum Cups



Ø20mm

Model	Weight g [oz]
VC-F20N-18M	7.8 [0.27]



Ø30mm

Model	Weight g [oz]
VC-F30N-18M	6.2 [0.22]



Ø50mm

Model	Weight g [oz]
VC-F50N-18M	19.6 [0.69]

VC-B Micro Series Round Bellow Vacuum Cups



Ø20mm

Model	Weight g [oz]
VC-B20N-18M	5.07 [0.18]



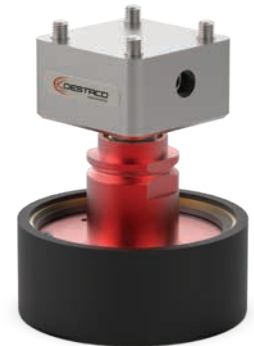
Ø30mm

Model	Weight g [oz]
VC-B30N-18M	11.42 [0.40]



Ø50mm

Model	Weight g [oz]
VC-B50N-18M	24.76 [0.87]



Ø3.00"

Model	Weight kg [lb]
MG-050-02	0.57 [1.26]

VC-BM Micro Series Round MultiBellow Vacuum Cups



Ø20mm

Model	Weight g [oz]
VC-BM20N-18M	[0.19] 5.3



Ø30mm

Model	Weight g [oz]
VC-BM30N-18M	[0.36] 10.3



Ø50mm

Model	Weight g [oz]
VC-BM50N-18M	[1.15] 32.7

SPR10 SOLUTIONS

Tool Tree Storage Solutions



CLICK OR SCAN
QR codes for full catalog
pages on products

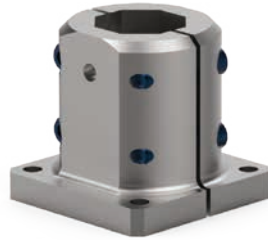
TC Tool Holder Mount Kit



for Ø30 mm Boom

Model	Weight kg [lb]
TC-050H-02	0.37 [0.81]

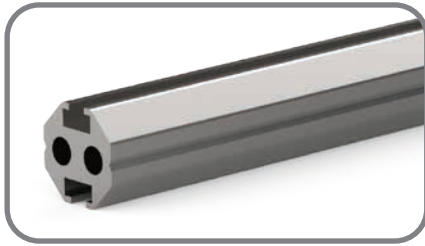
CLM End Mount



Ø1.00" to Ø1.00

Model	Weight kg [lb]
CPI-CLM-30B-20F	0.29 [0.64]

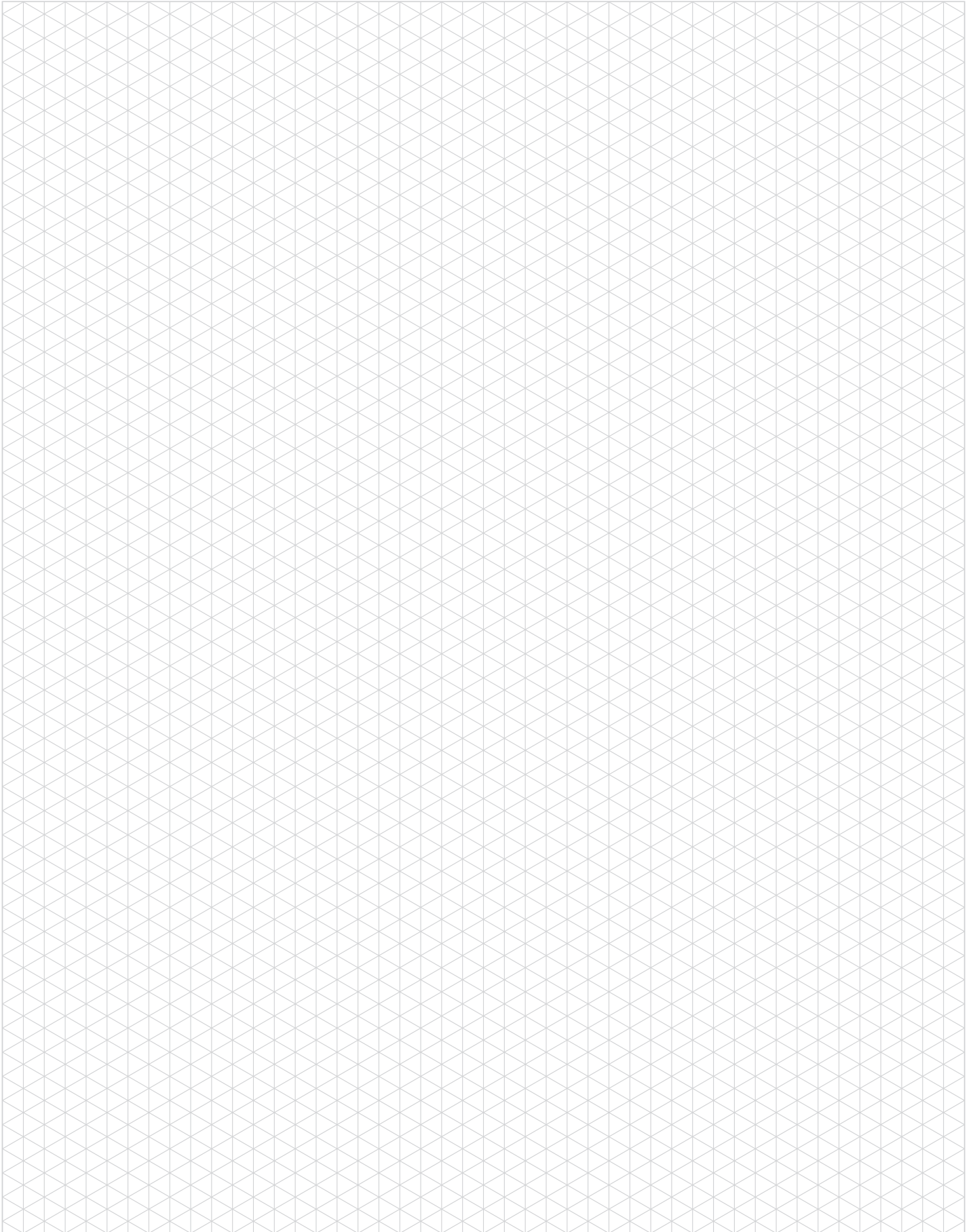
B-30 BodyBuilder™ Extrusion



30mm Octagonal Boom

Model	(L) mm [in]	Weight kg [lb]	Max # of Tool Holders
B-30-300-0	300 [11.8]	0.38 [0.84]	4
B-30-400-0	400 [15.7]	0.51 [1.12]	6
B-30-500-0	500 [19.7]	0.64 [1.40]	8

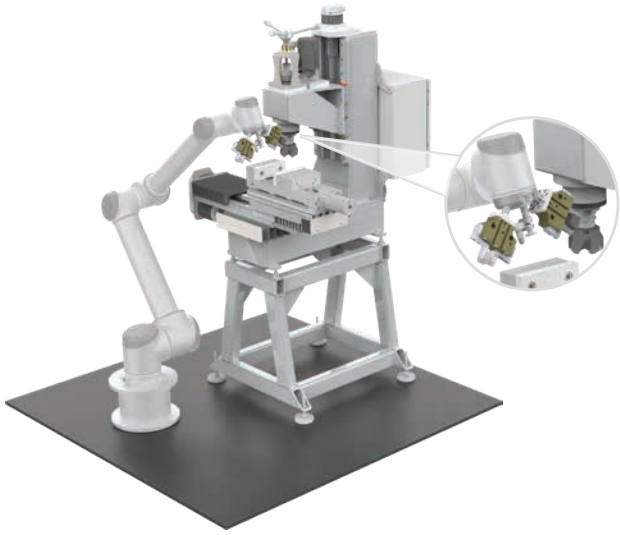




SPR-10 APPLICATION EXAMPLES

Small Robot and Cobot Solutions

Tool Extenders and Machine Tending



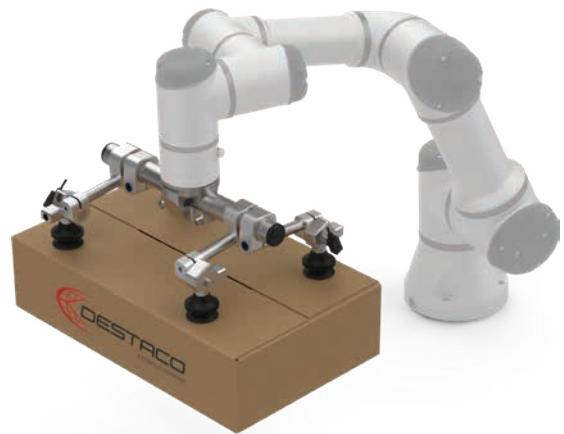
Tool Arrays



DirectConnect Robohand Gripper Adapter



Microtool Palletizing



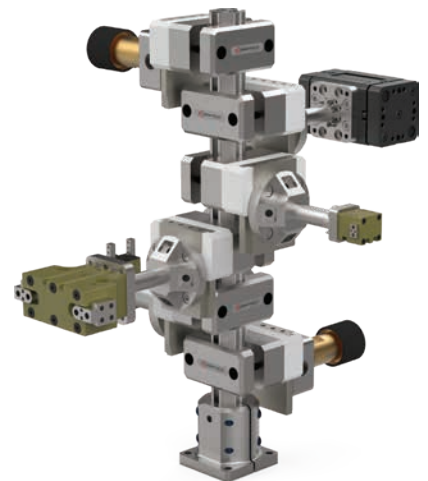
Mag-Lift Magnetic Gripper



ARV® Vacuum Gripper



Tool Tree Holder



OUR PORTFOLIO OF PRODUCTS



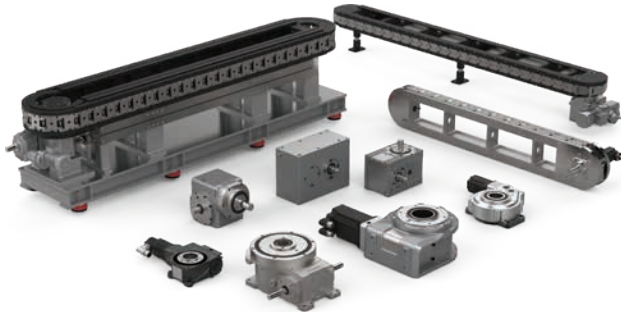
End Effectors (EE)

- Tool Changers
- End-of-Arm Tooling
- Vacuum Products
- Palletizing Solutions



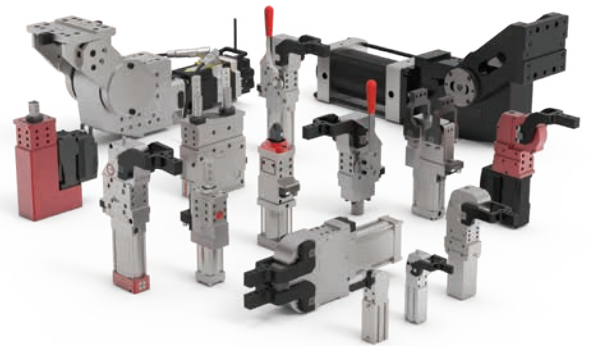
Grippers (GR)

- Electric Grippers
- Pneumatic and Sheet Metal Grippers
- Rotates
- Slides



Indexers (IN)

- Precision Conveyors
- Dial Indexers
- Shaft and Flange Indexers
- Part Handlers



Power Clamps (PC)

- Power Clamps
- Pin Clamps and Packages
- Pivot Units
- Power Cylinders



Manual Clamps (MC)

- Hold Down
- Squeeze Action
- Plunger, Hook and Latch
- Pneumatic Toggle and Swing



Sheet Metal Grippers (SM)

- Accelerate® Press Room
- Cam Type
- Toggle Lock

GLOBAL SALES CONTACTS

CORPORATE HEADQUARTERS



US
+1-888-DESTACO
+1-248-836-6700
northamerica@destaco.com

THE BEST PRODUCTS.
UNMATCHED SERVICE.
WORLDWIDE.



DE
+49-6171-705-0
europe@destaco.com



SP
+34-936361680
spain@destaco.com



PL
+48-506002115
poland@destaco.com



IN
+91-80-41123421-426
india@destaco.com



MX
mexico@destaco.com



FR
+33-4-7354-5001
france@destaco.com



CN
+86-21-6081-2888
china@destaco.com



NL
+31-297285332
benelux@destaco.com



SG
singapore@destaco.com



UK
+44-1902-797980
uk@destaco.com



TH
+66-2-326-0812
asia@destaco.com



CZ
+420-603-577-341
czech@destaco.com



CA
canada@destaco.com



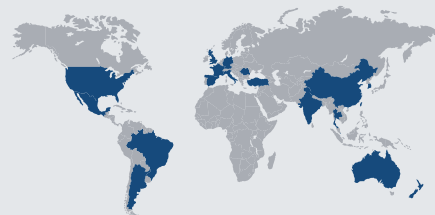
Click or Scan for
the latest PDF version
of this document.



Click or Scan
to learn more
about Stabilus.



Industries



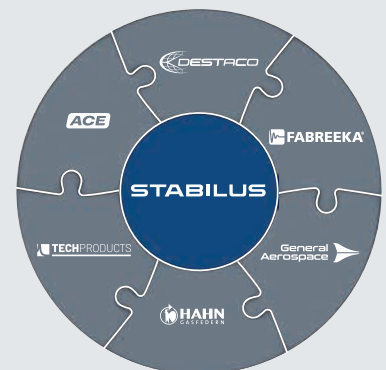
45 Locations in 19 Countries



8K Employees



2023 Revenues



Expert Brands