



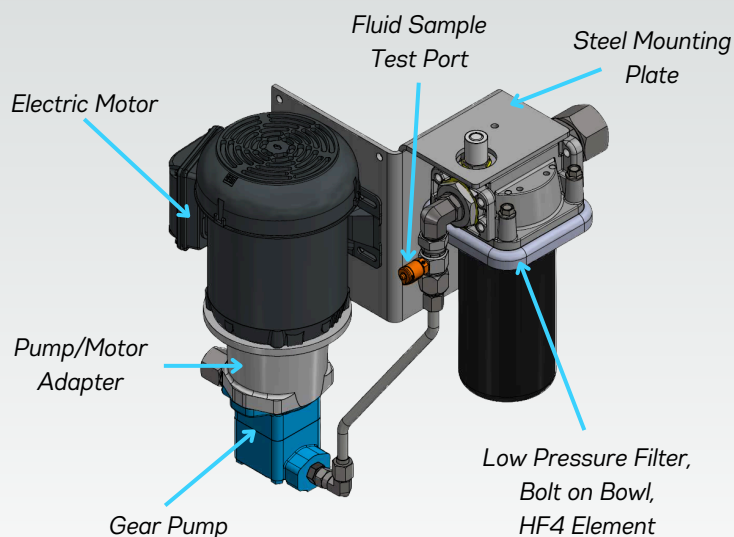
# EXOTIC

AUTOMATION & SUPPLY

## EXOTIC FILTRATION SOLUTIONS

### OFFLINE FILTRATION SYSTEM

Exotic Automation & Supply's Offline Filtration System enhances fluid quality and boosts equipment longevity. Custom-built to meet specific needs, it offers continuous, independent filtration, minimizing downtime and maintenance while ensuring reliable performance with high-quality components.



#### Minimizes Wear & Tear

By removing contaminants from the fluid, offline filtration helps prevent premature wear of critical machinery components, enhancing their longevity.



#### Maintain Optimal Cleanliness

Offline filtration is essential for maintaining hydraulic fluid cleanliness, often being the only solution to meet stringent cleanliness standards.



#### Reduces Repair Costs

By preventing contamination-related damage, offline filtration lowers the risk of costly repairs and system downtime.



#### Safe Fluid Sampling

Offline filtration provides a safe and easy way to collect fluid samples from an active system for accurate analysis.



#### Enhances Performance

Keeping the fluid at an optimal cleanliness level ensures reliable operation and maximizes the overall performance of your equipment.



#### Prolongs Component Life

Continuous filtration protects system components from harmful particles, helping to extend their life and minimize the need for replacements.



#### Convenient Maintenance

The offline filtration system can be serviced without shutting down your machine, ensuring continuous production during maintenance.

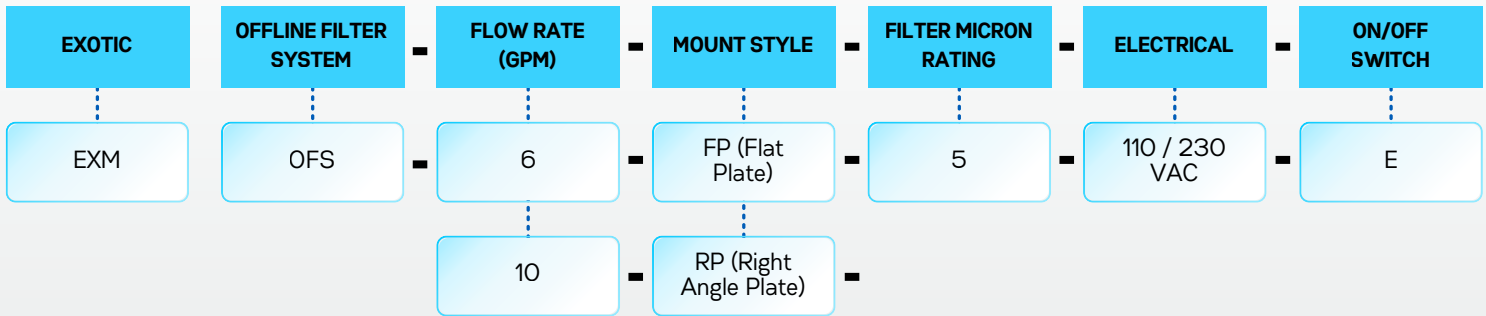


#### Customizable Solutions

If our standard units don't meet your needs, we offer customizable options, including flow rates, mounting configurations, and plate-style coolers.

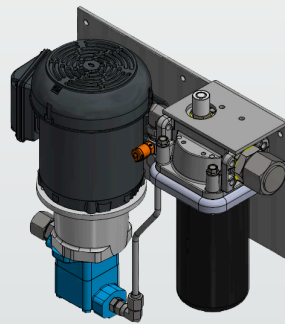


# OFFLINE FILTRATION UNIT CONFIGURATIONS

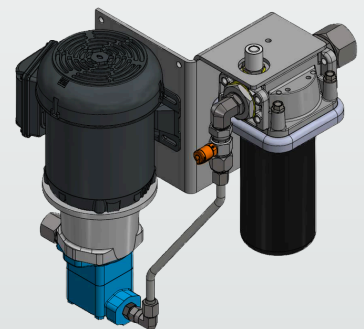


**Replacement Elements**

- HF41L3VQ - 3 MICRON
- HF41L5VQ - 5 MICRON
- HF41L10VQ - 10 MICRON



Flat Plate

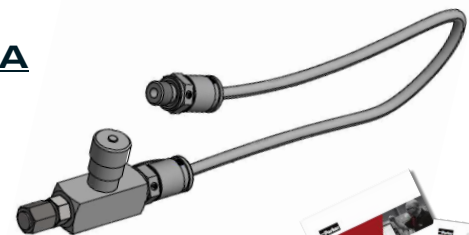


Right Angle Plate

## FLUID SAMPLE & ANALYSIS

### Exotic Fluid Sample Hose Kit: EXMOFS-HSTK-A

- A safe and convenient solution for controlled fluid sampling
- Compatible with Parker and Stauff Test Port Fittings
- Designed for pressurized systems up to 5,000 PSI



### Parker Par-Test Fluid Analysis Kit: 947754

Par-Test kits provide a simple, effective solution for fluid analysis and are essential for preventative maintenance. Analysis Includes:

- Particle Count
- Photomicrograph
- Free Water Analysis
- Spectrometric Analysis
- Viscosity Analysis
- Water Analysis (PPM)
- Neutralization Analysis (Acid Number)



With extensive expertise in filtration technology, Exotic delivers tailored solutions that protect critical equipment, promote system longevity, and meet the most stringent operational requirements.